

SICORUM M900

Stool bench 1810

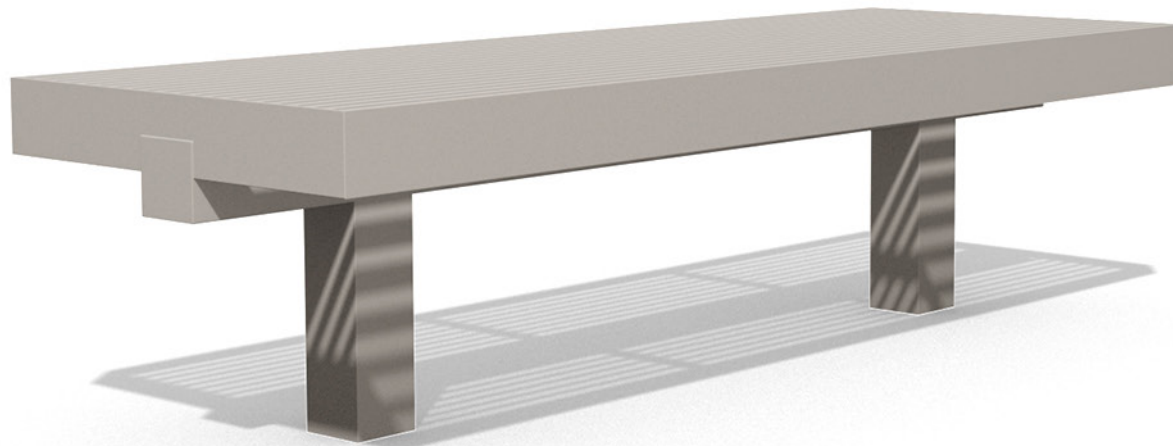
BENKERTBÄNKE



SICORUM M900

Stool bench 1810

BENKERTBÄNKE



SICORUM M900

Stool bench 1810

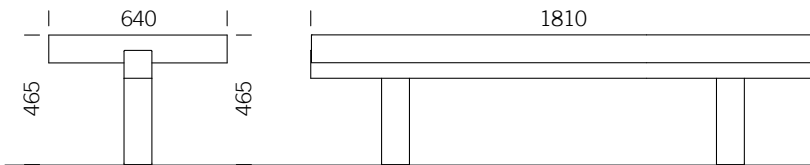
BENKERTBÄNKE

GROUND ANCHOR

1. Concrete-in, installation depth 400 mm
2. Bolt-on, installation depth 80 mm

DIMENSIONS

Length:	1810 mm
Width:	640 mm
Height:	465 mm
Seat height:	465 mm
Weight:	ca. 80 kg



FRAME

Stainless steel type 304 | powder-coated

SEAT

Stainless steel type 304 | square tubes 15 x 15 mm

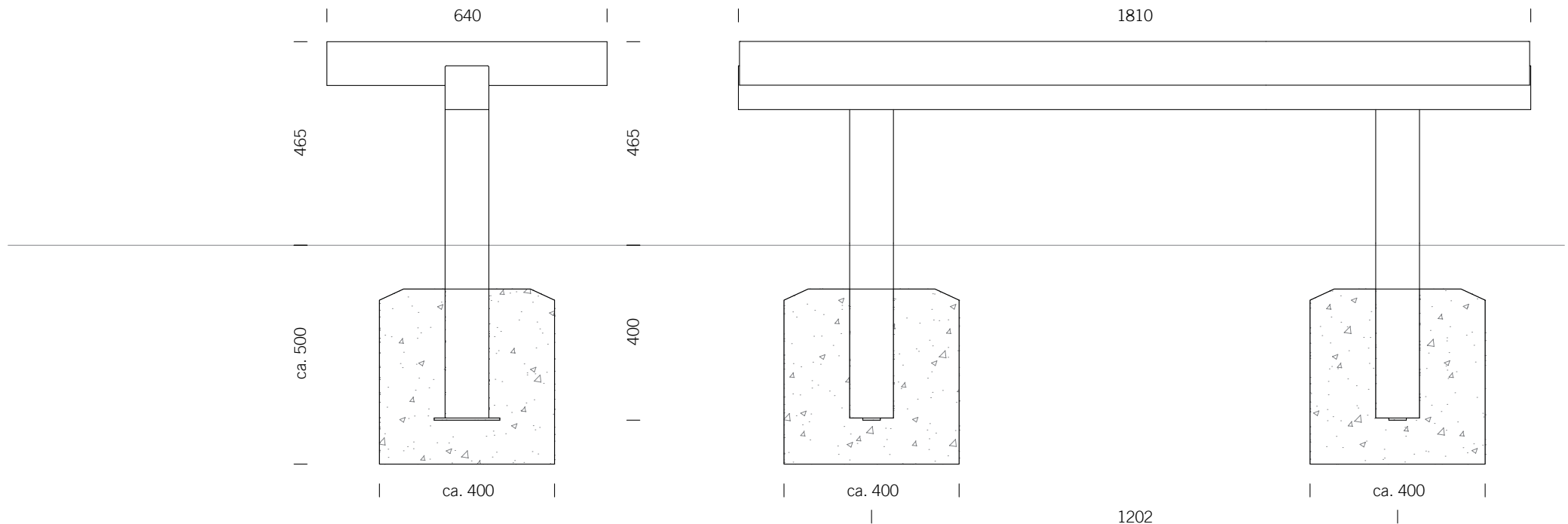


SICORUM M900

Stool bench 1810

BENKERTBÄNKE

GROUND ANCHOR CONCRETE-IN, INSTALLATION DEPTH 400 MM



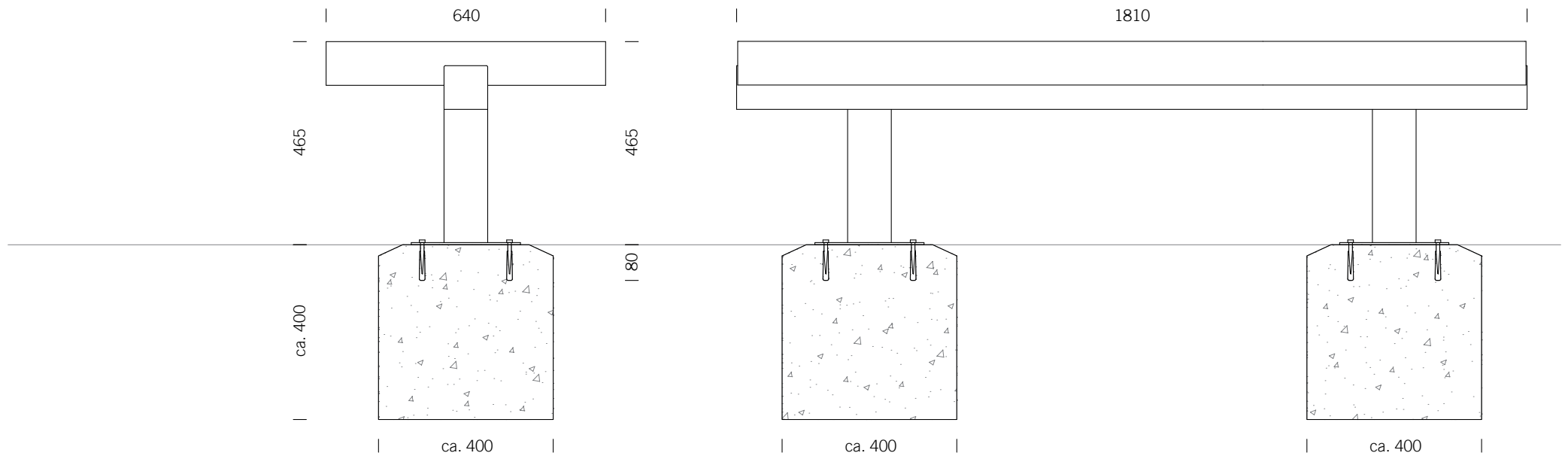
Foundations depend on local conditions - This is only a suggestion without warranty

SICORUM M900

Stool bench 1810

BENKERTBÄNKE

GROUND ANCHOR BOLT-ON, INSTALLATION DEPTH 80 MM



Foundations depend on local conditions - This is only a suggestion without warranty