

# SICORUM M900

Bench 1810

BENKERTBÄNKE



# SICORUM M900

Bench 1810

BENKERTBÄNKE



# SICORUM M900

Bench 1810

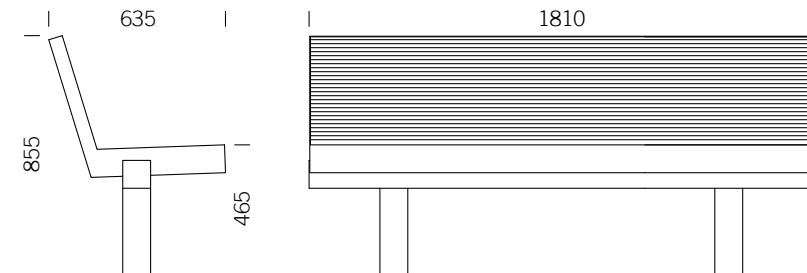
# BENKERTBÄNKE

## GROUND ANCHOR

1. Concrete-in, installation depth 400 mm
2. Bolt-on, installation depth 80 mm

## DIMENSIONS

Length:	1810 mm
Width:	635 mm
Height:	855 mm
Seat height:	465 mm
Weight:	ca. 90 kg



## FRAME

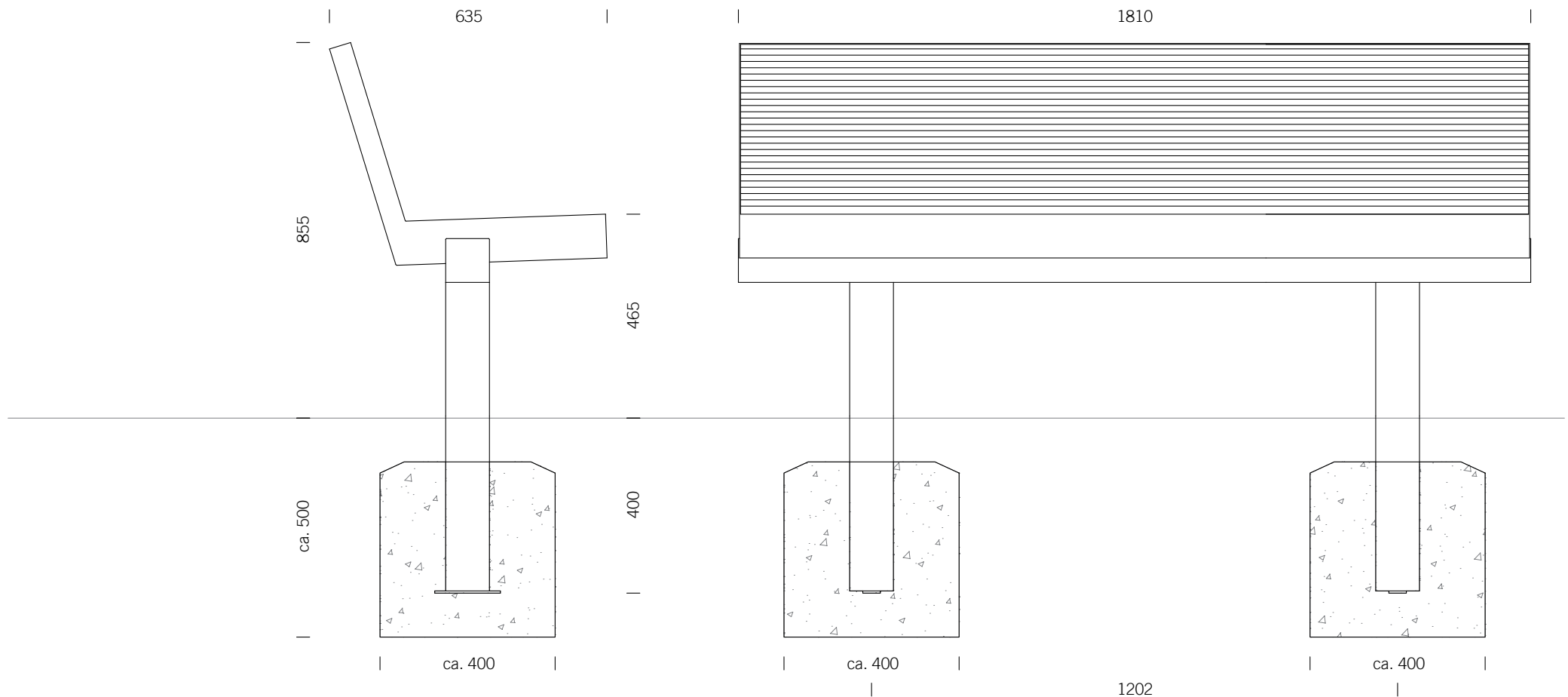
Stainless steel type 304 | powder-coated

## SEAT / BACKREST

Stainless steel type 304 | square tubes 15 x 15 mm

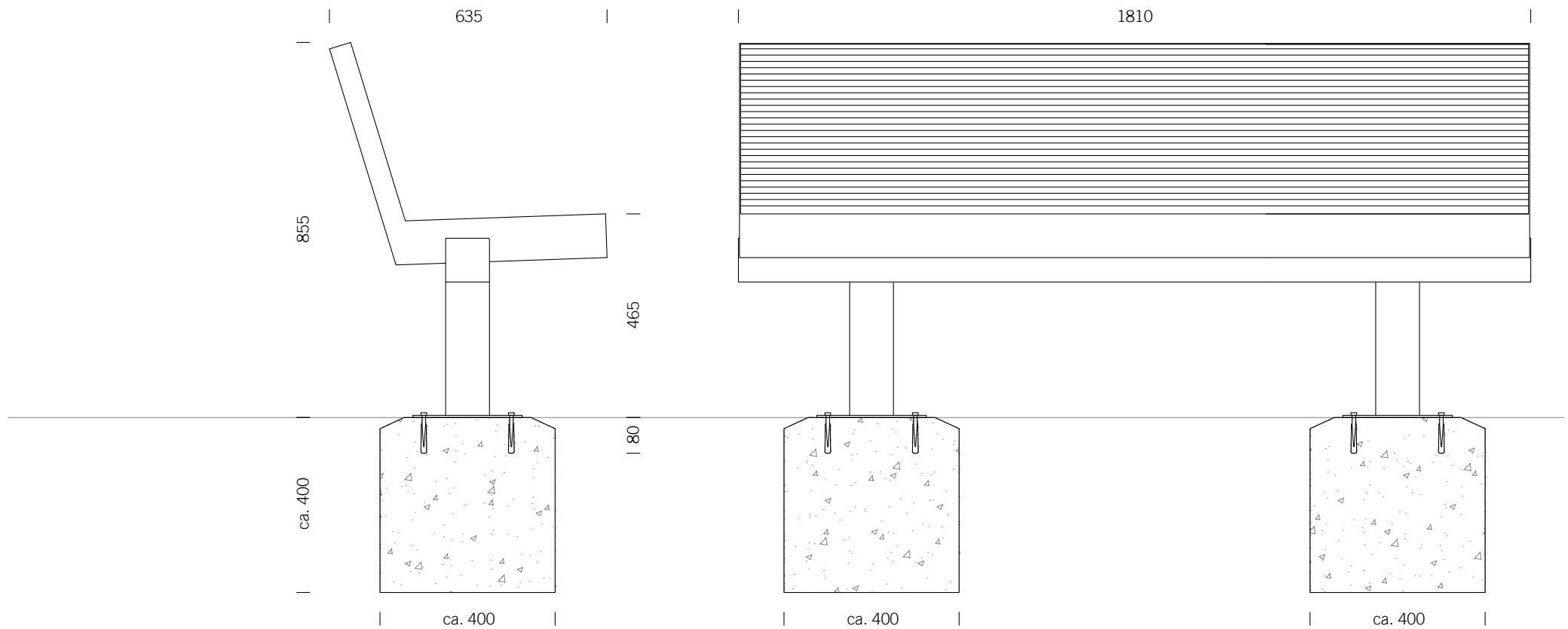


GROUND ANCHOR CONCRETE-IN, INSTALLATION DEPTH 400 MM



Foundations depend on local conditions - This is only a suggestion without warranty

GROUND ANCHOR BOLT-ON, INSTALLATION DEPTH 80 MM



Foundations depend on local conditions - This is only a suggestion without warranty