

SICORUM M400

Table

BENKERTBÄNKE



SICORUM M400

Table

BENKERTBÄNKE



SICORUM M400

Table

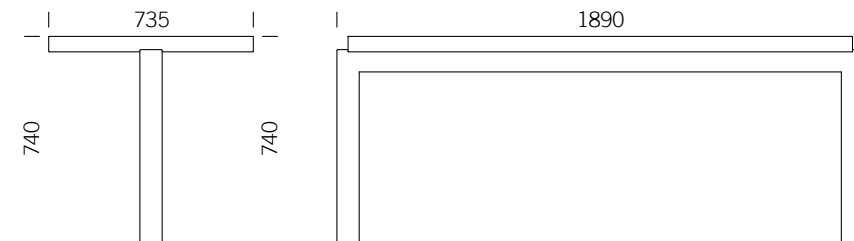
BENKERTBÄNKE

GROUND ANCHOR

1. Concrete-in, installation depth 400 mm
2. Bolt-on, installation depth 80 mm

DIMENSIONS

Length:	1890 mm
Width:	735 mm
Height:	740 mm
Weight:	ca. 60 kg



FRAME

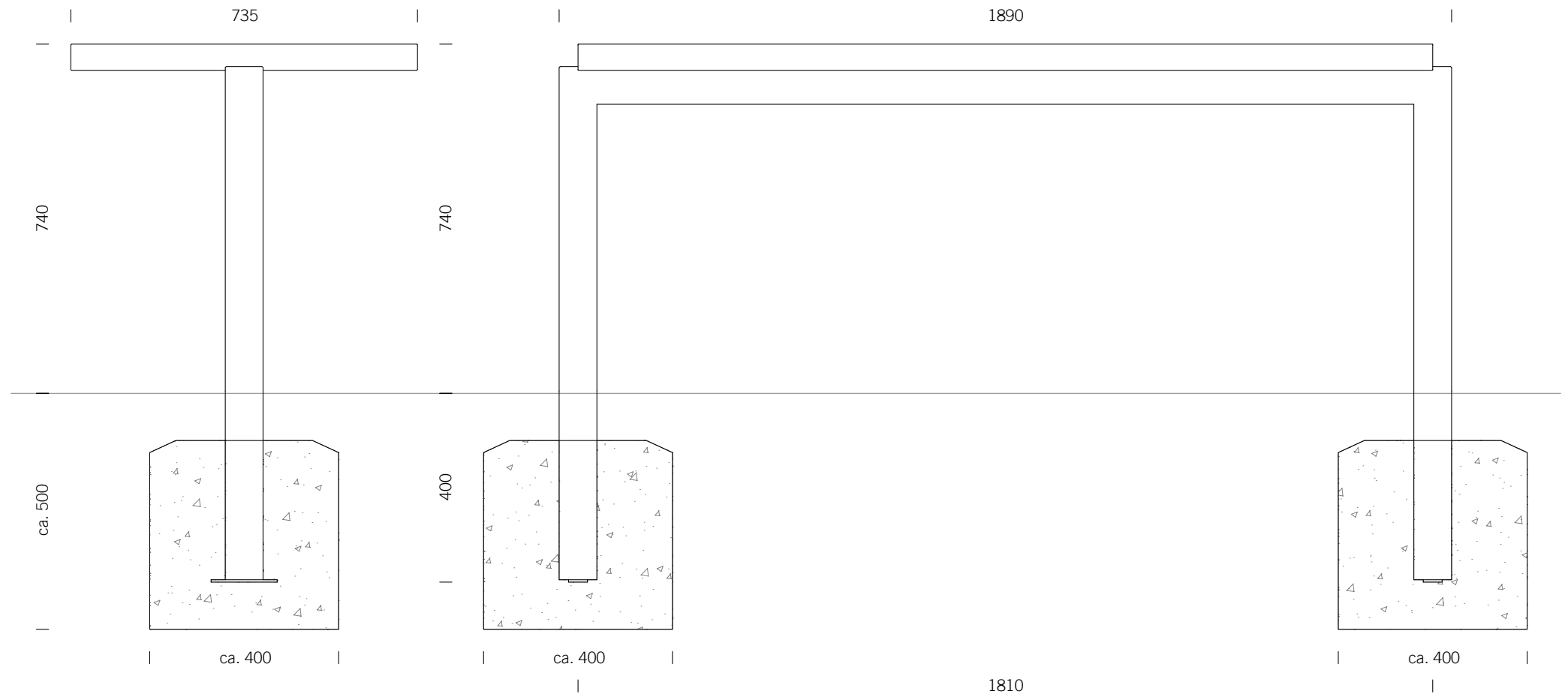
Stainless steel type 304 | powder-coated

TABLE SURFACE

Stainless steel type 304 | square tubes 15 x 15 mm

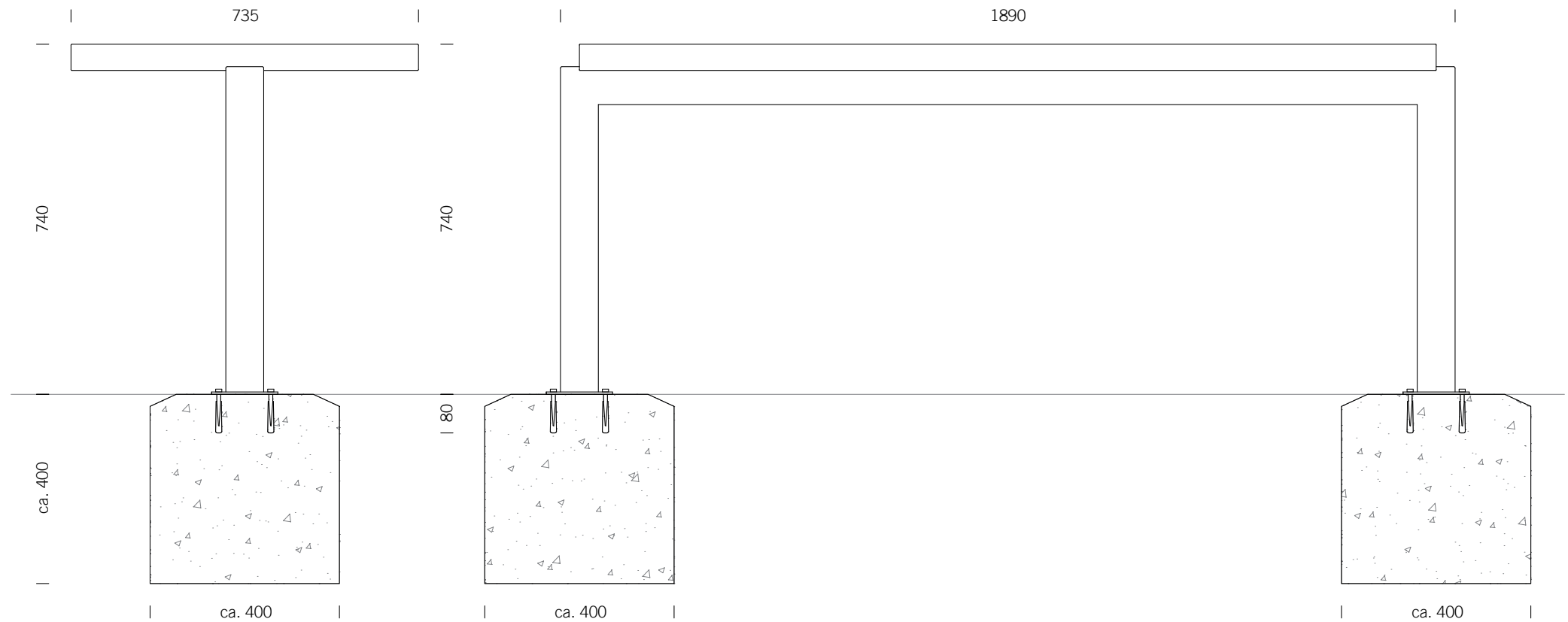


GROUND ANCHOR CONCRETE-IN, INSTALLATION DEPTH 400 MM



Foundations depend on local conditions - This is only a suggestion without warranty

GROUND ANCHOR BOLT-ON, INSTALLATION DEPTH 80 MM



Foundations depend on local conditions - This is only a suggestion without warranty