

SICORUM M400

Stool bench with armrests

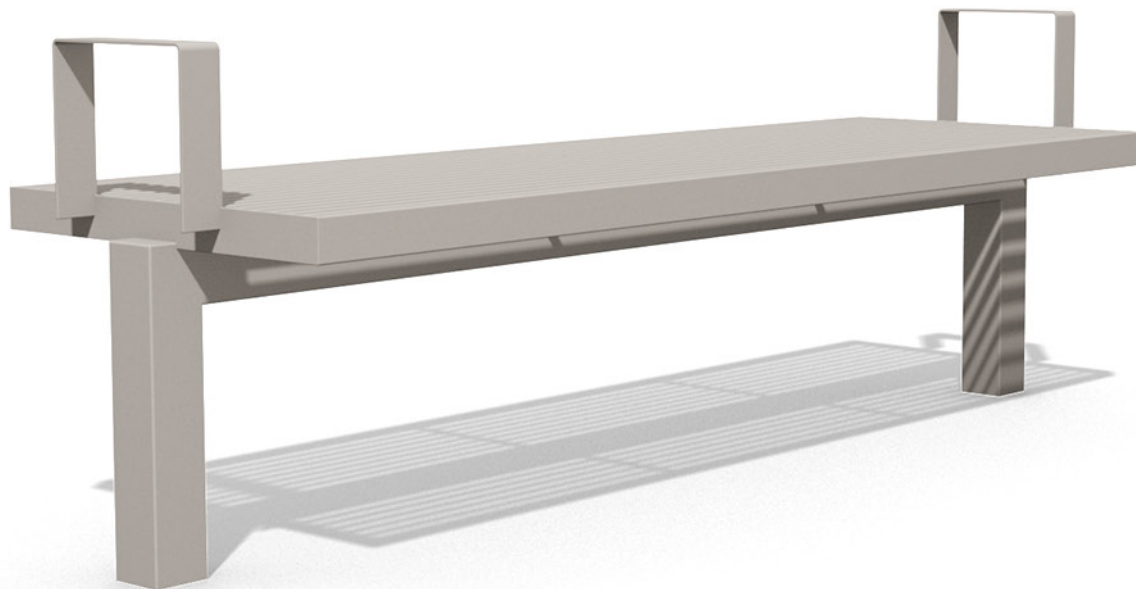
BENKERTBÄNKE



SICORUM M400

Stool bench with armrests

BENKERTBÄNKE



SICORUM M400

Stool bench with armrests

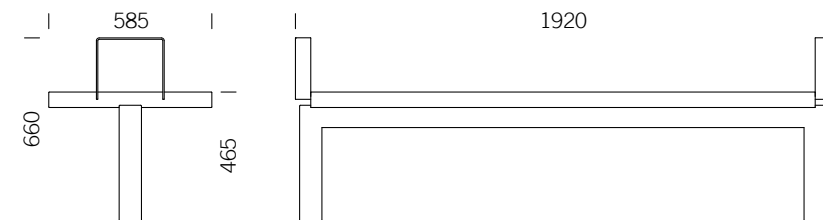
BENKERTBÄNKE

GROUND ANCHOR

1. Concrete-in, installation depth 400 mm
2. Bolt-on, installation depth 80 mm

DIMENSIONS

Length:	1920 mm
Width:	585 mm
Height:	660 mm
Seat height:	465 mm
Weight:	ca. 50 kg



FRAME

Stainless steel type 304 | powder-coated

SEAT

Stainless steel type 304 | square tubes 15 x 15 mm

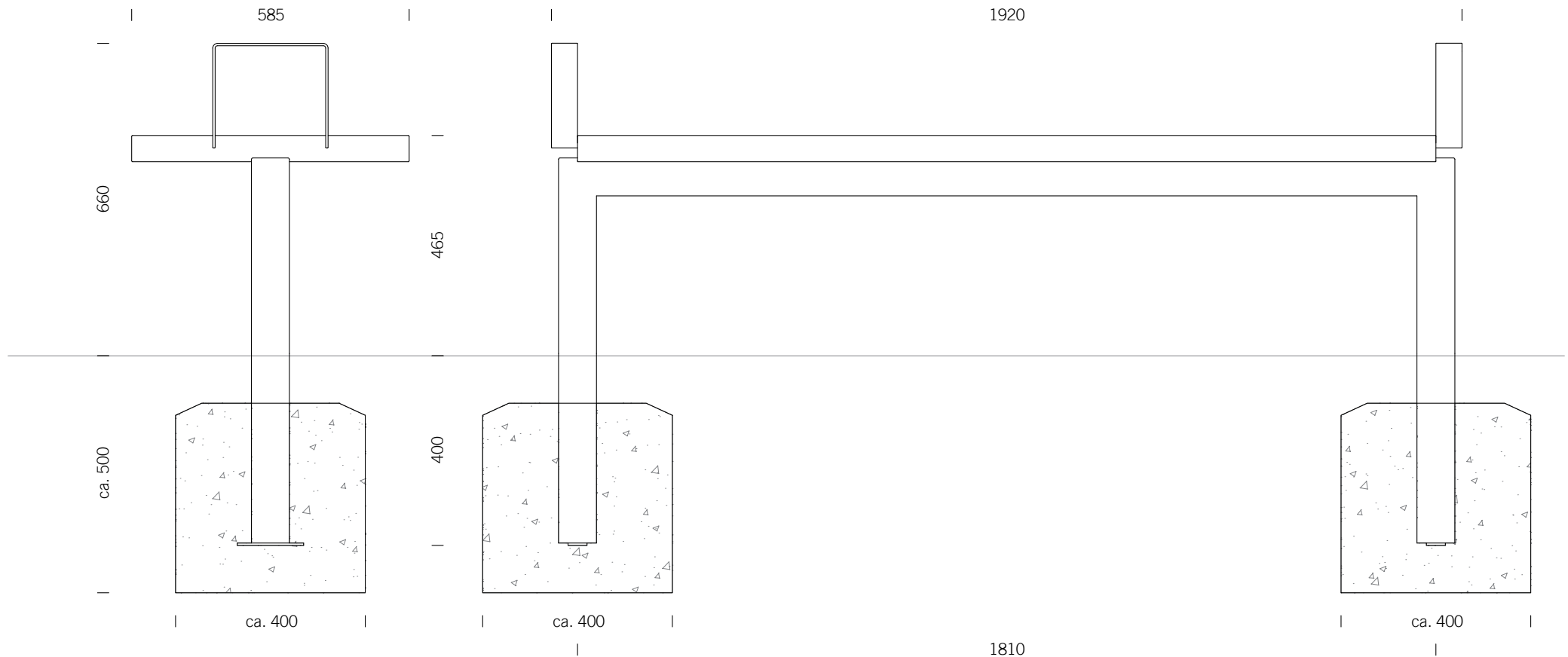


SICORUM M400

Stool bench with armrests

BENKERTBÄNKE

GROUND ANCHOR CONCRETE-IN, INSTALLATION DEPTH 400 MM



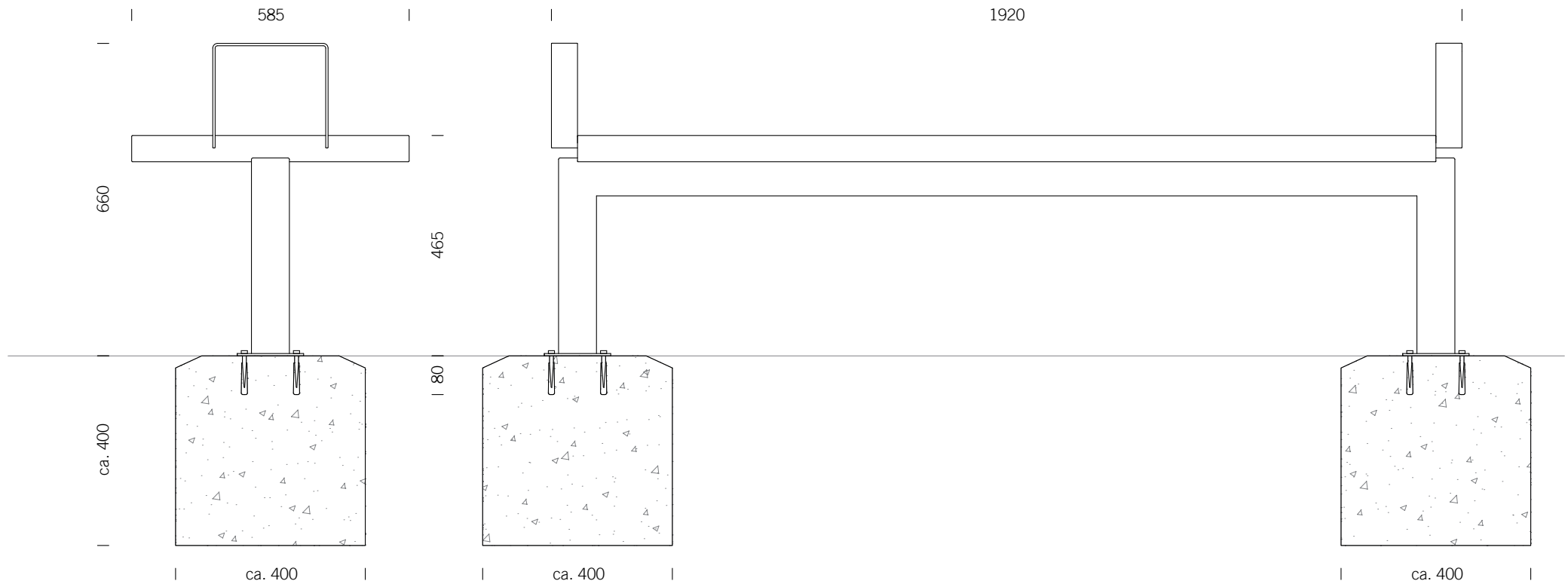
Foundations depend on local conditions - This is only a suggestion without warranty

SICORUM M400

Stool bench with armrests

BENKERTBÄNKE

GROUND ANCHOR BOLT-ON, INSTALLATION DEPTH 80 MM



Foundations depend on local conditions - This is only a suggestion without warranty