

# SIARDO L40R

Stool bench

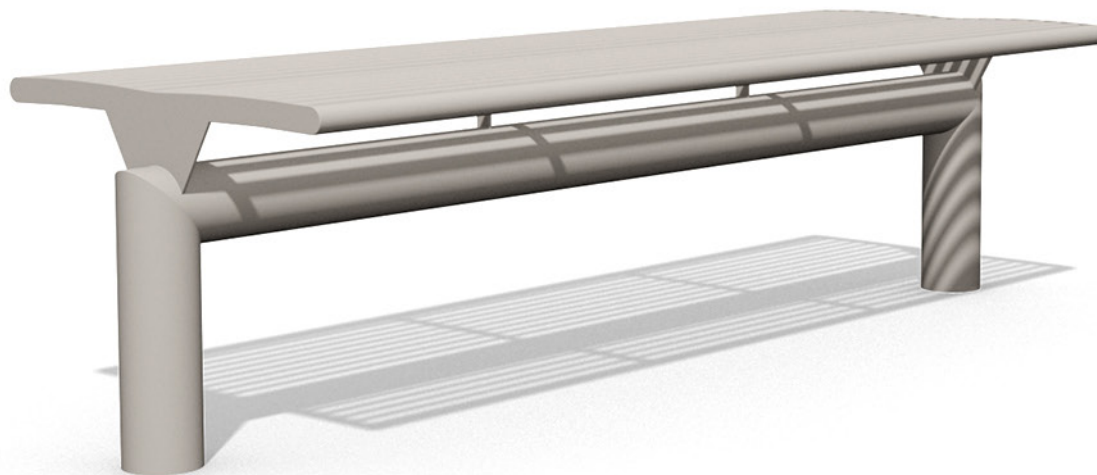
**BENKERTBÄNKE**



# SIARDO L40R

Stool bench

BENKERTBÄNKE



# SIARDO L40R

Stool bench

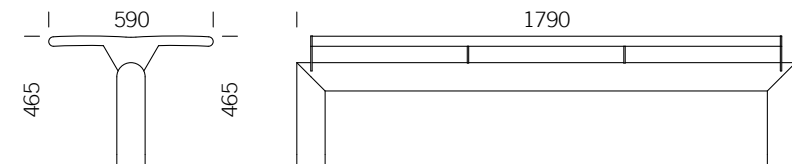
# BENKERTBÄNKE

## GROUND ANCHOR

1. Concrete-in, installation depth 400 mm
2. Bolt-on, installation depth 80 mm
3. Take-out, installation depth 320 mm

## DIMENSIONS

Length:	1790 mm
Width:	590 mm
Height:	465 mm
Seat height:	465 mm
Weight:	ca. 50 kg



## FRAME

Stainless steel type 304 | powder-coated

## SEAT

Stainless steel type 304 | round tubes Ø16mm

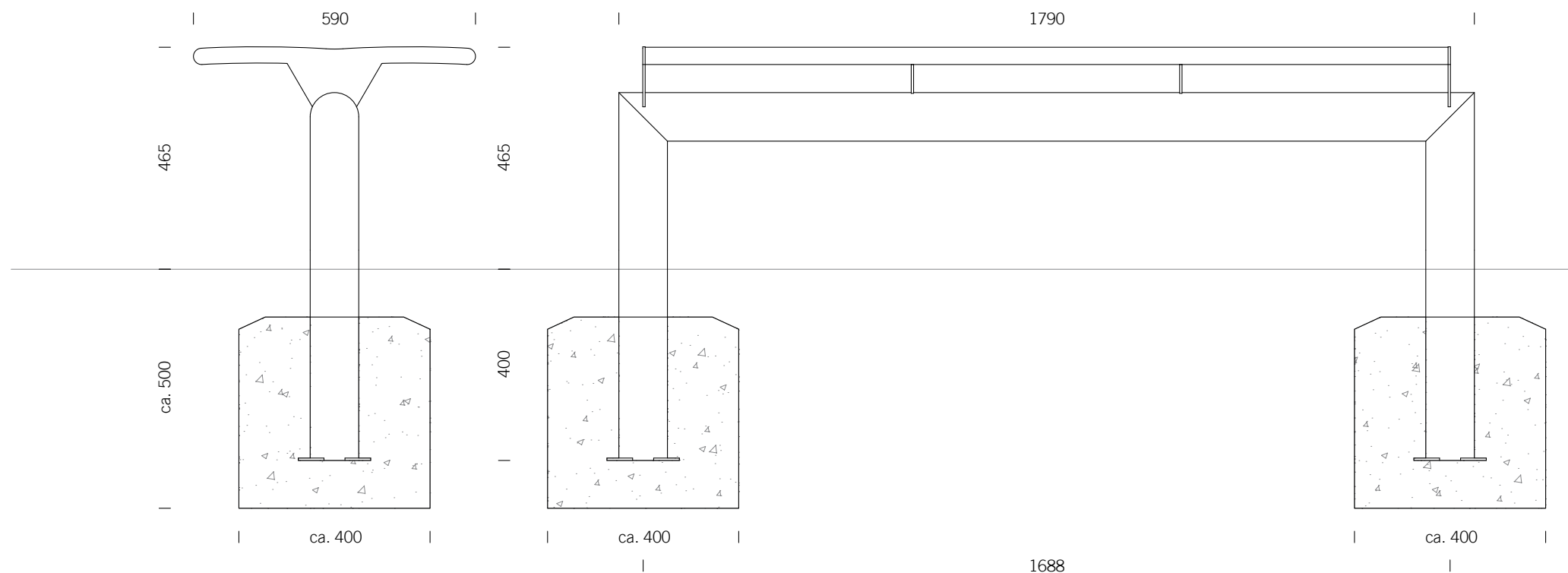


# SIARDO L40R

Stool bench

# BENKERTBÄNKE

GROUND ANCHOR CONCRETE-IN, INSTALLATION DEPTH 400 MM



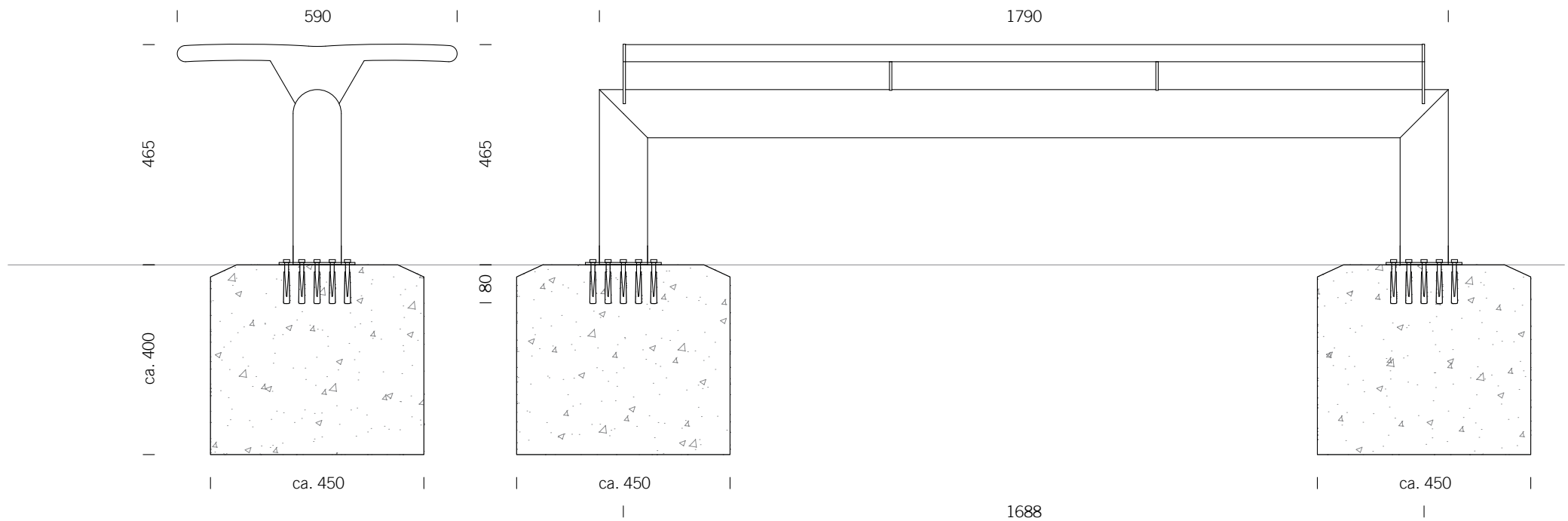
Foundations depend on local conditions - This is only a suggestion without warranty

# SIARDO L40R

Stool bench

# BENKERTBÄNKE

GROUND ANCHOR BOLT-ON, INSTALLATION DEPTH 80 MM



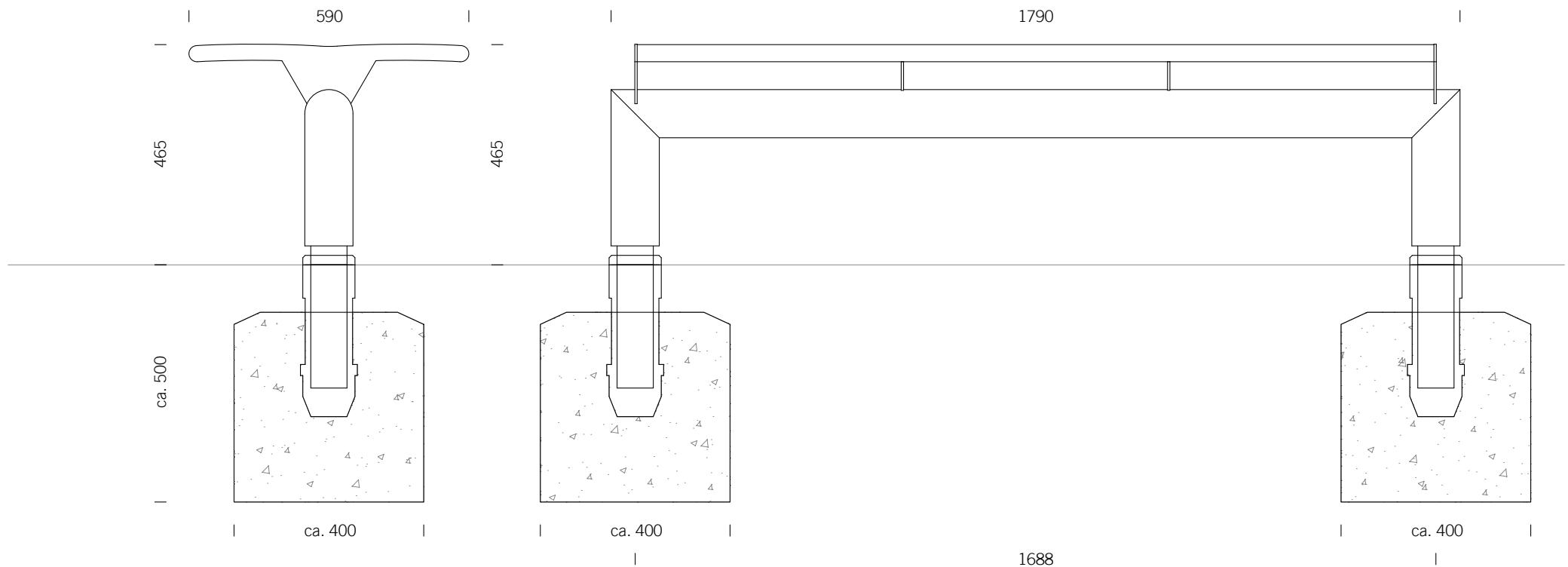
Foundations depend on local conditions - This is only a suggestion without warranty

# SIARDO L40R

Stool bench

# BENKERTBÄNKE

GROUND ANCHOR TAKE-OUT, INSTALLATION DEPTH 320 MM



Foundations depend on local conditions - This is only a suggestion without warranty