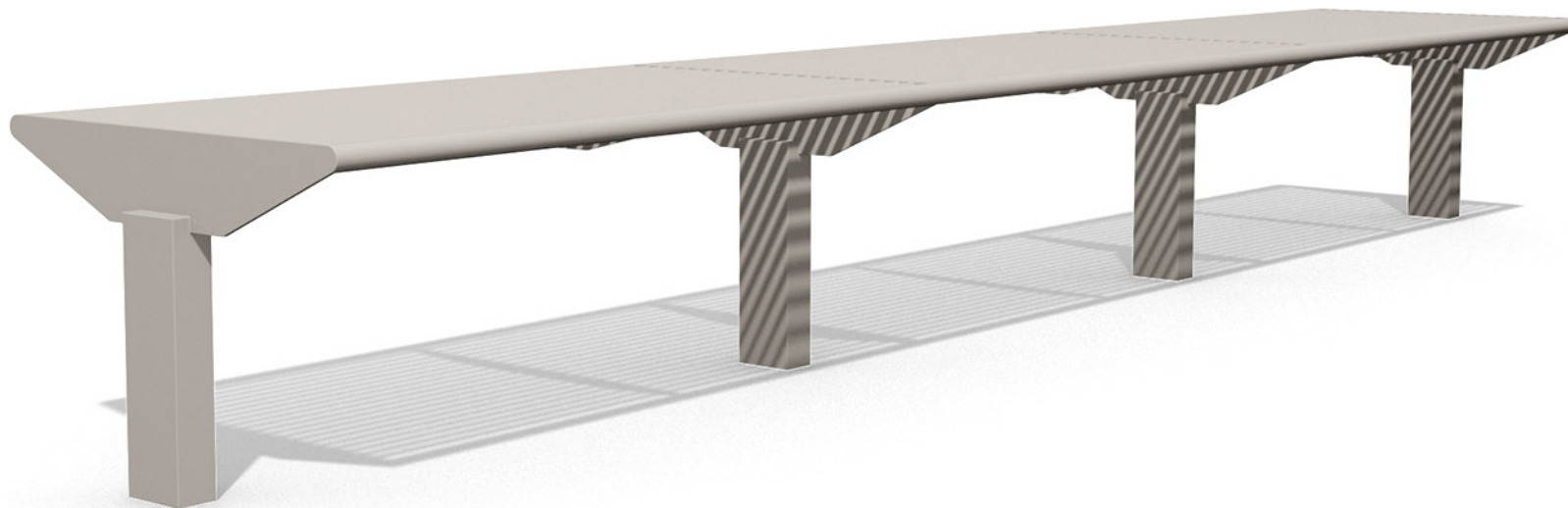


# SIARDO 50R

Stool bench 3650

BENKERTBÄNKE



# SIARDO 50R

Stool bench 3650

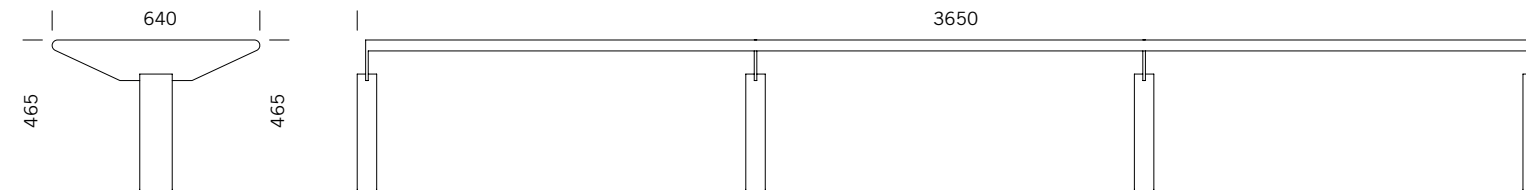
# BENKERTBÄNKE

## GROUND ANCHOR

1. Concrete-in, installation depth 400 mm
2. Bolt-on, installation depth 80 mm

## DIMENSIONS

|              |         |
|--------------|---------|
| Length:      | 3650 mm |
| Width:       | 640 mm  |
| Height:      | 465 mm  |
| Seat height: | 465 mm  |
| Weight:      | 74 kg   |



## FRAME

Stainless steel type 304 | powder-coated

## SEAT

Stainless steel type 304 | round tubes Ø16mm

## ARMRESTS

Benches and stools are also available with armrests on the outside and between the individual seats.

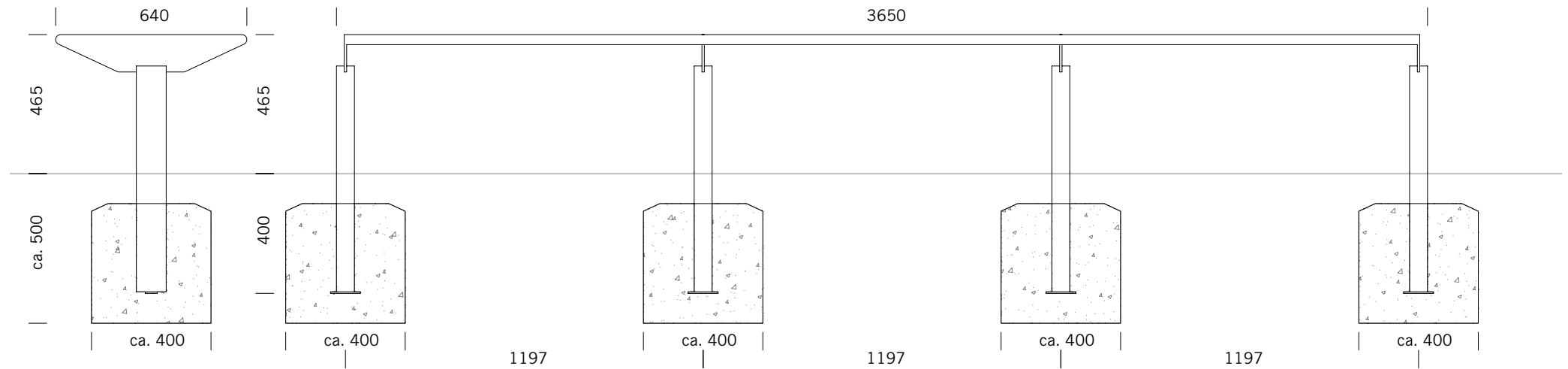


# SIARDO 50R

Stool bench 3650

BENKERTBÄNKE

GROUND ANCHOR CONCRETE-IN, INSTALLATION DEPTH 400 MM



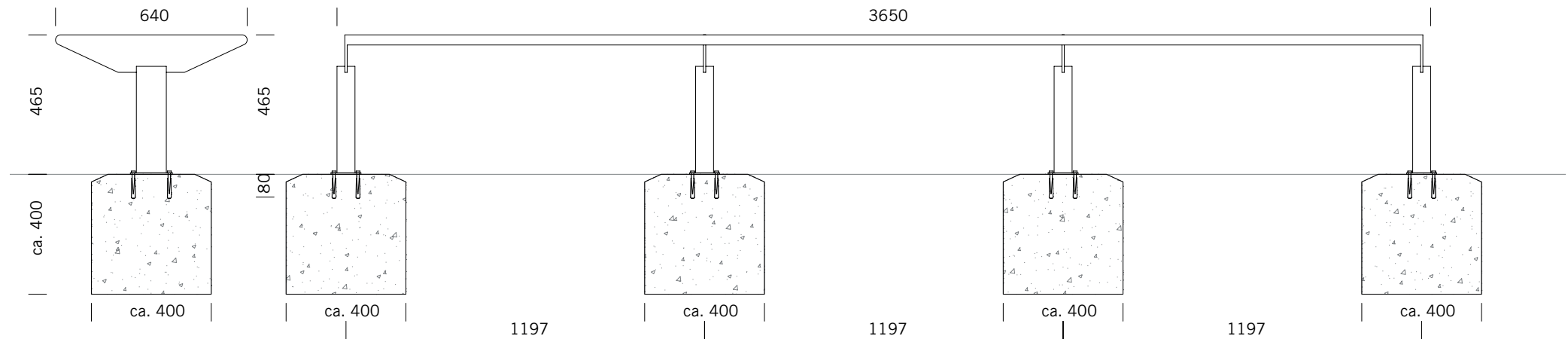
Foundations depend on local conditions - This is only a suggestion without warranty

# SIARDO 50R

Stool bench 3650

BENKERTBÄNKE

GROUND ANCHOR BOLT-ON, INSTALLATION DEPTH 80 MM



Foundations depend on local conditions - This is only a suggestion without warranty