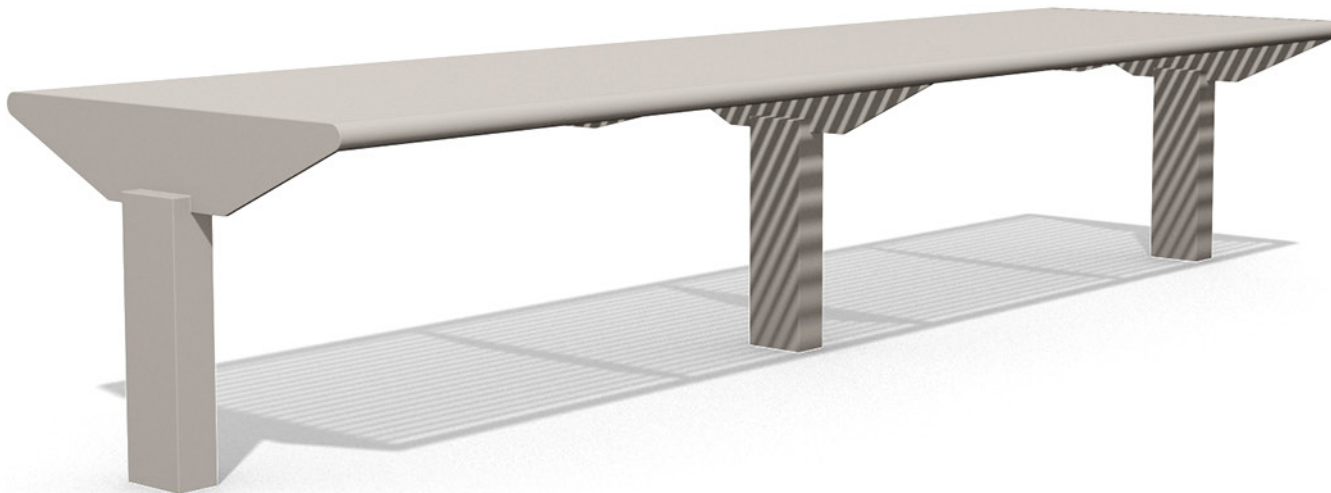


# SIARDO 50R

Stool bench 2450

BENKERTBÄNKE



# SIARDO 50R

Stool bench 2450

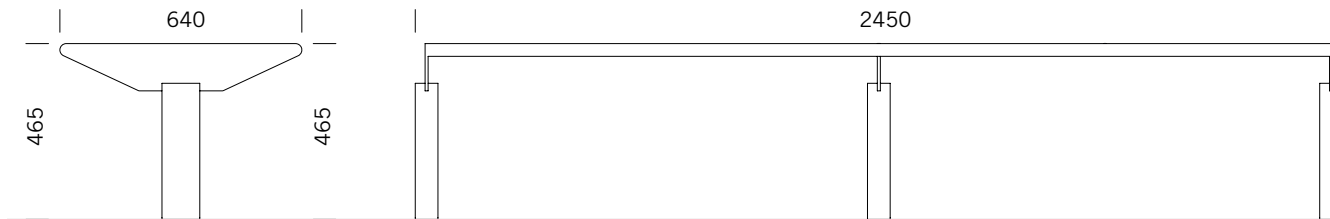
# BENKERTBÄNKE

## GROUND ANCHOR

1. Concrete-in, installation depth 400 mm
2. Bolt-on, installation depth 80 mm

## DIMENSIONS

Length:	2450 mm
Width:	640 mm
Height:	465 mm
Seat height:	465 mm
Weight:	52 kg



## FRAME

Stainless steel type 304 | powder-coated

## SEAT

Stainless steel type 304 | round tubes Ø16mm

## ARMRESTS

Benches and stools are also available with armrests on the outside and between the individual seats.

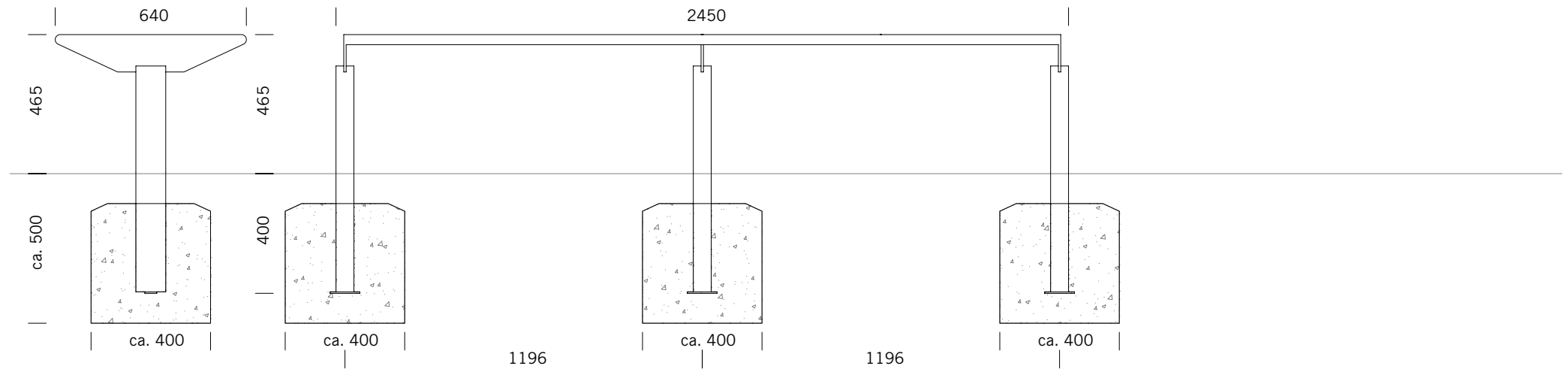


# SIARDO 50R

Stool bench 2450

BENKERTBÄNKE

GROUND ANCHOR CONCRETE-IN, INSTALLATION DEPTH 400 MM



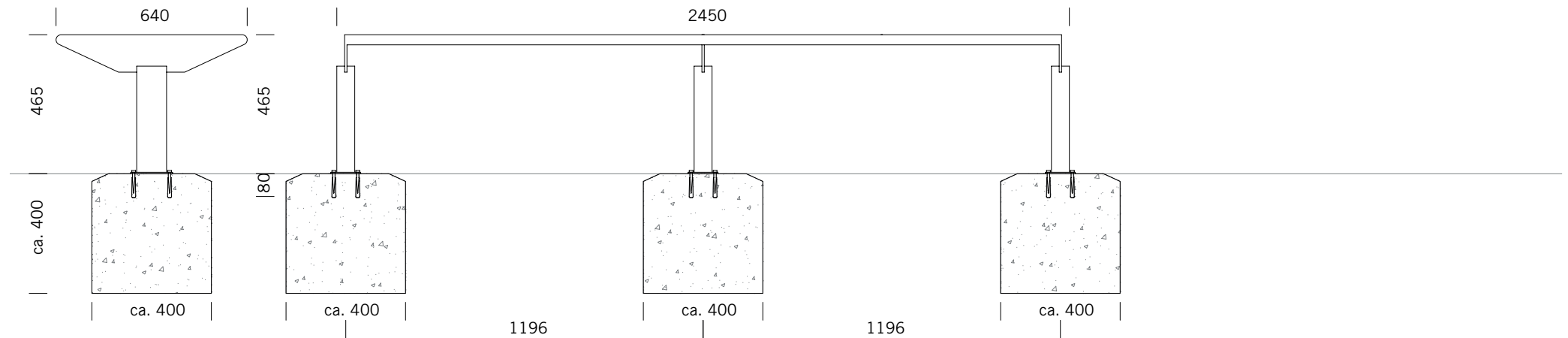
Foundations depend on local conditions - This is only a suggestion without warranty

# SIARDO 50R

Stool bench 2450

BENKERTBÄNKE

GROUND ANCHOR BOLT-ON, INSTALLATION DEPTH 80 MM



Foundations depend on local conditions - This is only a suggestion without warranty