

SIARDO 400R

Table

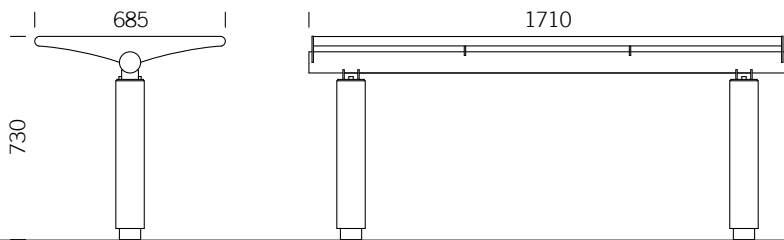
BENKERTBÄNKE



SIARDO 400R

Table

BENKERTBÄNKE



GROUND ANCHOR

1. Concrete-in, installation depth 400 mm
2. Bolt-on, installation depth 80 mm
3. Take-out, installation depth 320 mm

DIMENSIONS

| | |
|---------|-----------|
| Length: | 1710 mm |
| Width: | 685 mm |
| Height: | 730 mm |
| Weight: | ca. 60 kg |

FRAME

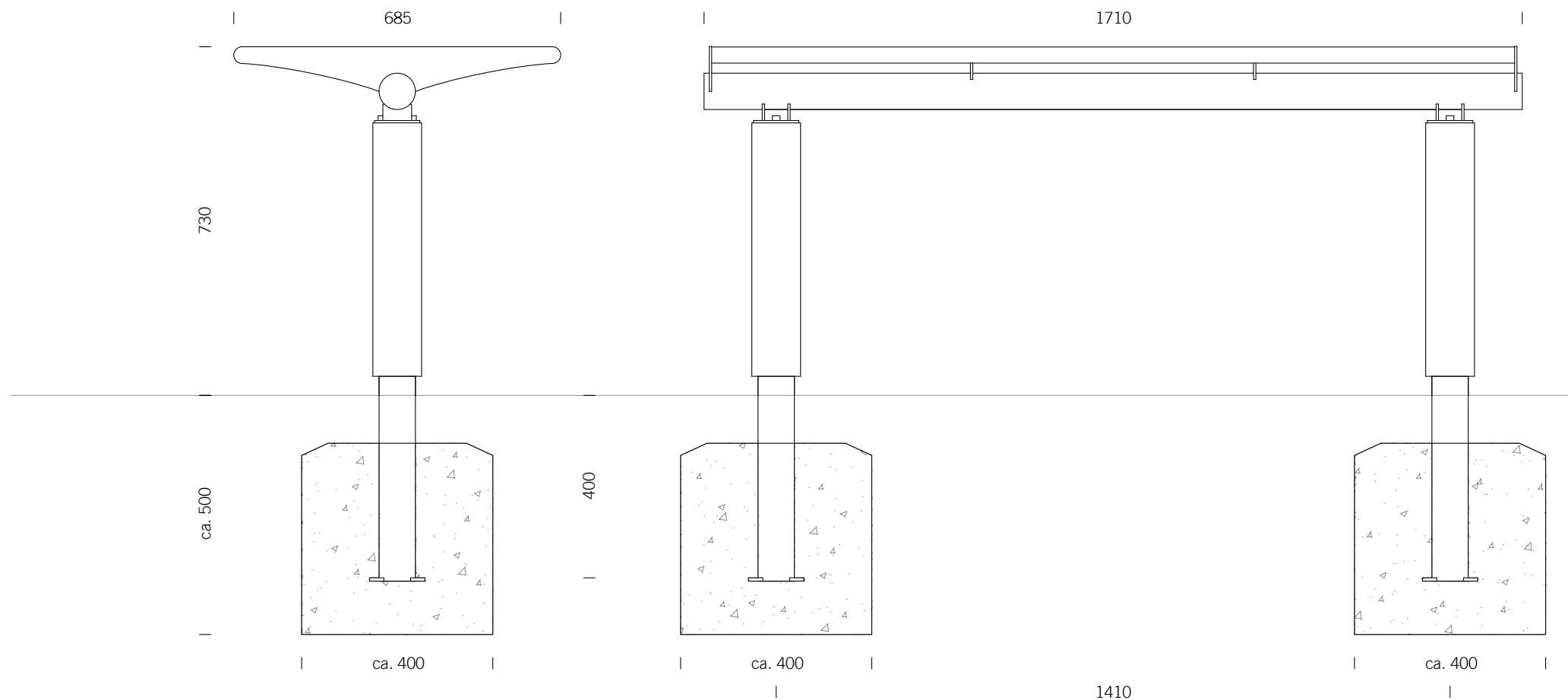
Stainless steel type 304 | powder-coated

TABLE SURFACE

Stainless steel type 304 | round tubes Ø16mm

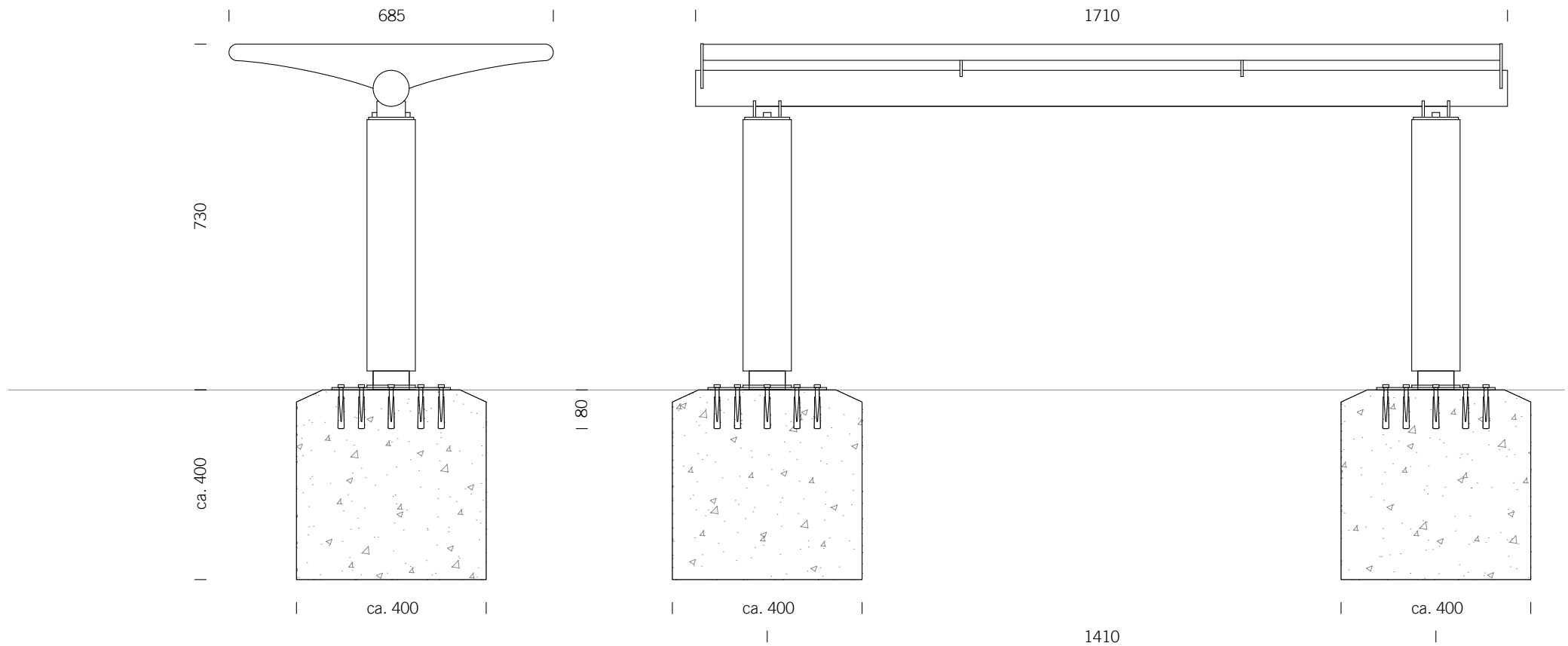


GROUND ANCHOR CONCRETE-IN, INSTALLATION DEPTH 400 MM



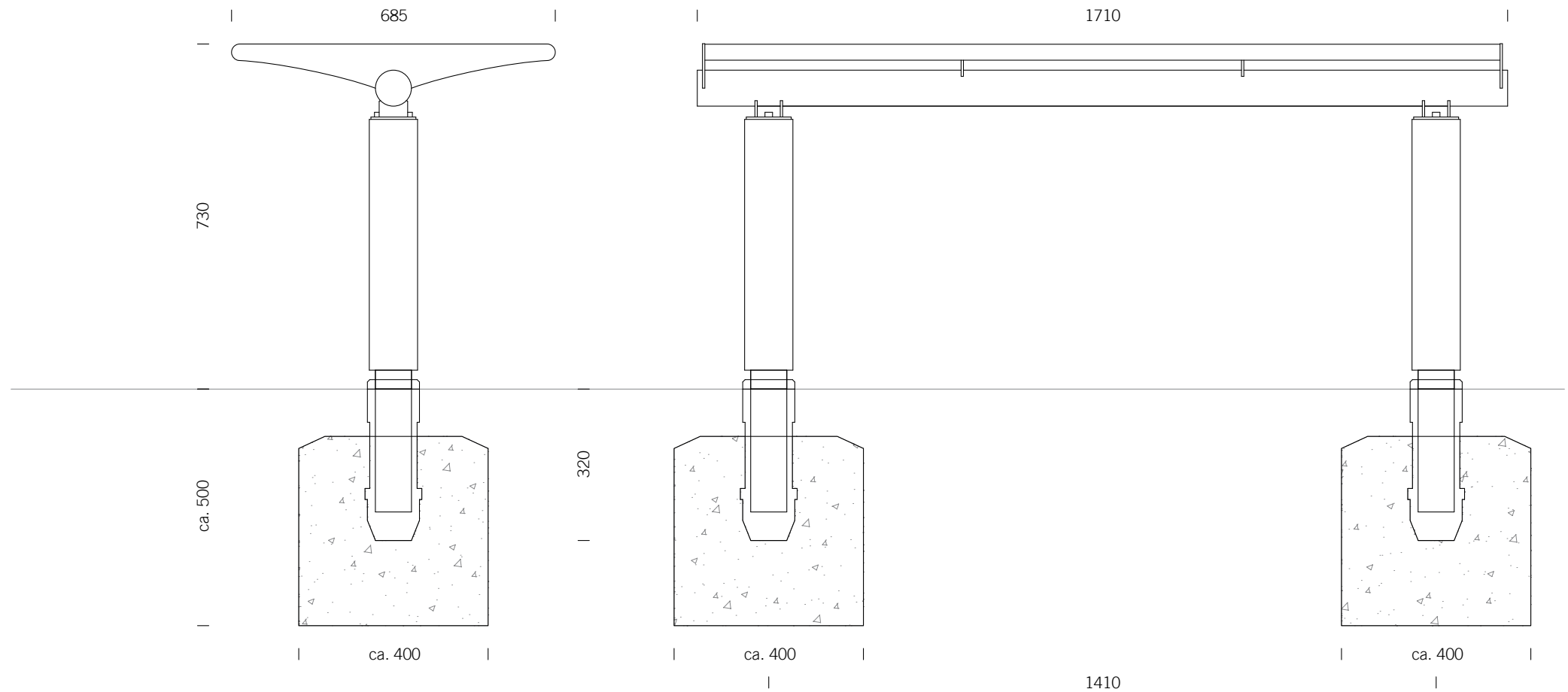
Foundations depend on local conditions - This is only a suggestion without warranty

GROUND ANCHOR BOLT-ON, INSTALLATION DEPTH 80 MM



Foundations depend on local conditions - This is only a suggestion without warranty

GROUND ANCHOR TAKE-OUT, INSTALLATION DEPTH 320 MM



Foundations depend on local conditions - This is only a suggestion without warranty