

SIARDO 30R

Stool bench 2400

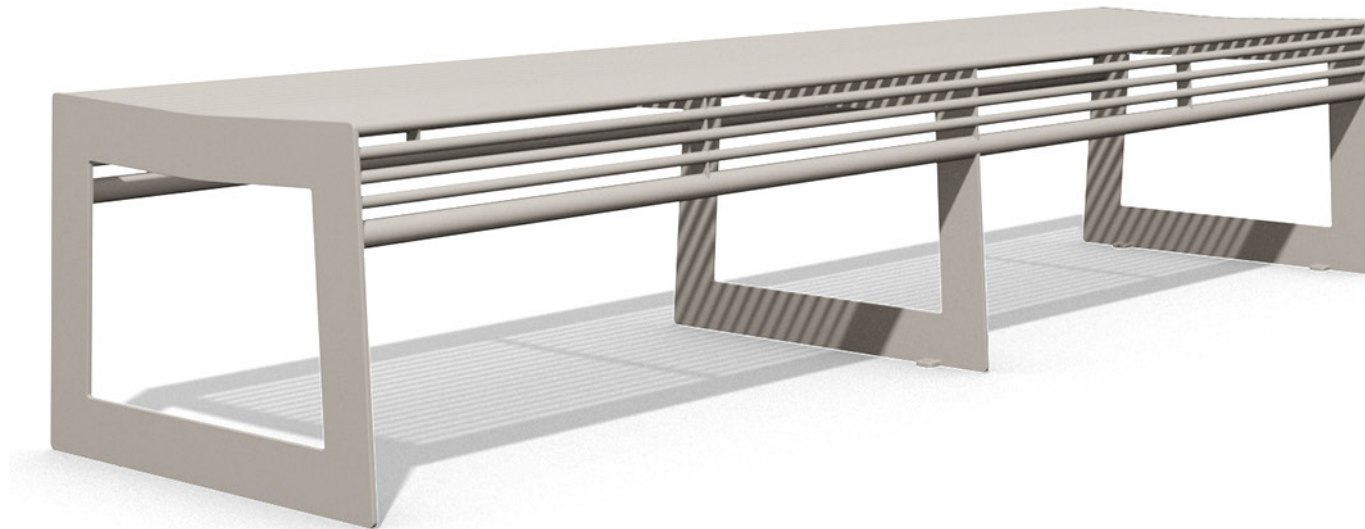
BENKERTBÄNKE



SIARDO 30R

Stool bench 2400

BENKERTBÄNKE



SIARDO 30R

Stool bench 2400

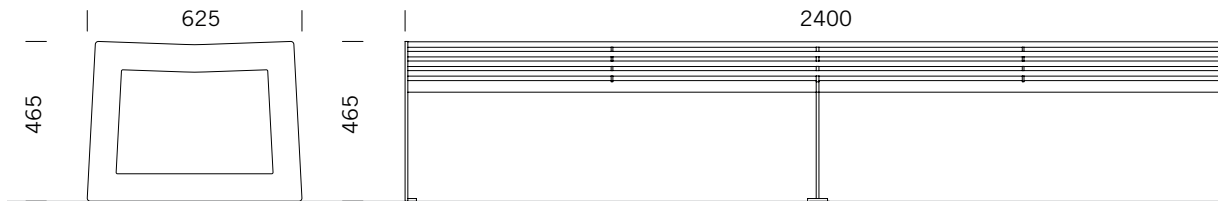
BENKERTBÄNKE

GROUND ANCHOR

1. Concrete-in, installation depth 250 mm
2. Bolt-on, installation depth 80 mm

DIMENSIONS

| | |
|--------------|---------|
| Length: | 2400 mm |
| Width: | 625 mm |
| Height: | 465 mm |
| Seat height: | 465 mm |
| Weight: | 70 kg |



FRAME

Stainless steel type 304 | powder-coated

SEAT

Stainless steel type 304 | round tubes Ø16mm

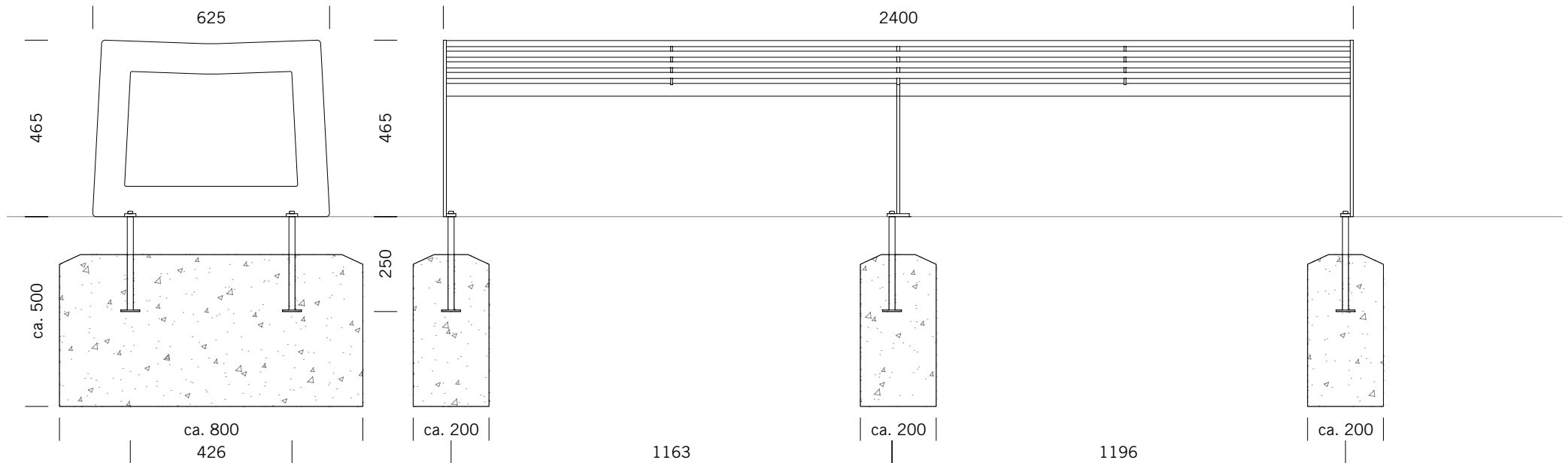


SIARDO 30R

Stool bench 2400

BENKERTBÄNKE

GROUND ANCHOR CONCRETE-IN, INSTALLATION DEPTH 250 MM



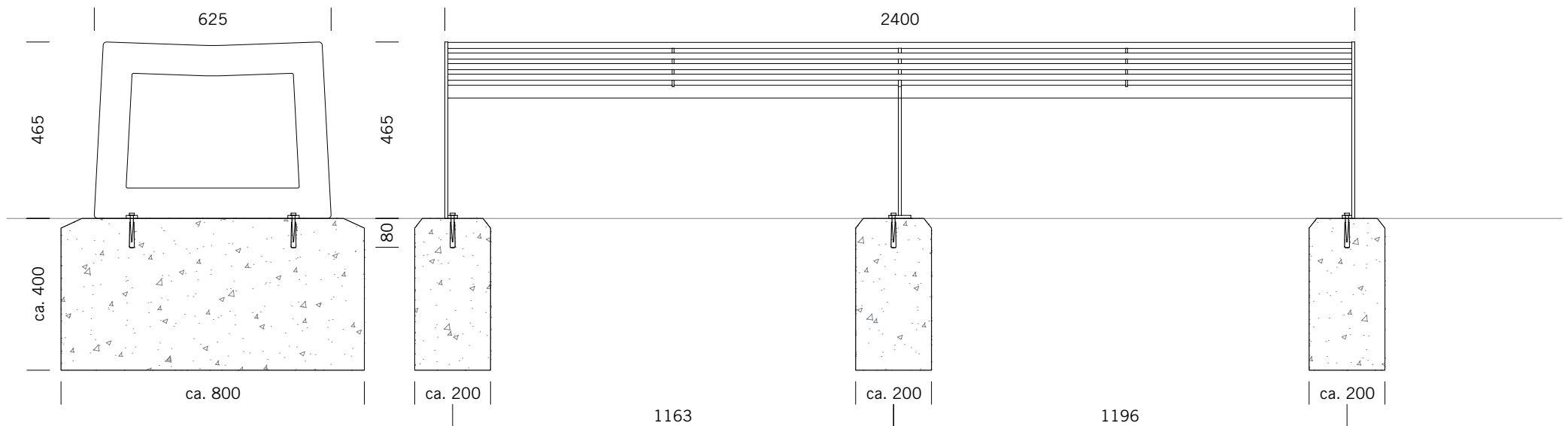
Foundations depend on local conditions - This is only a suggestion without warranty

SIARDO 30R

Stool bench 2400

BENKERTBÄNKE

GROUND ANCHOR BOLT-ON, INSTALLATION DEPTH 80 MM



Foundations depend on local conditions - This is only a suggestion without warranty