

SIARDO 20R

Chair 600 with armrests

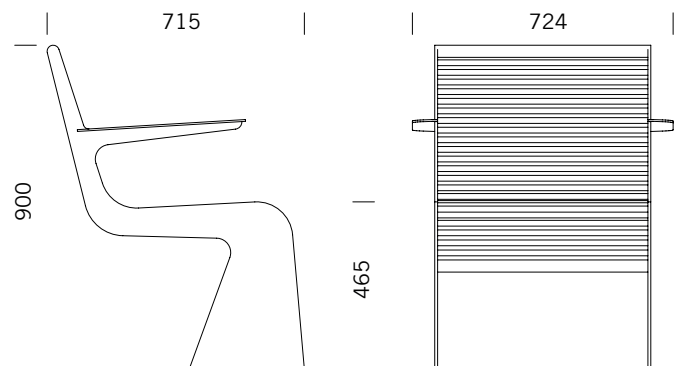
BENKERTBÄNKE



SIARDO 20R

Chair 600 with armrests

BENKERTBÄNKE



GROUND ANCHOR

1. Concrete-in, installation depth 250 mm
2. Bolt-on, installation depth 80 mm

DIMENSIONS

Length:	600 mm
Width:	745 mm
Height:	900 mm
Seat height:	465 mm
Weight:	40 kg

FRAME

Stainless steel type 304 | powder-coated

SEAT / BACKREST

Stainless steel type 304 | round tubes Ø16mm

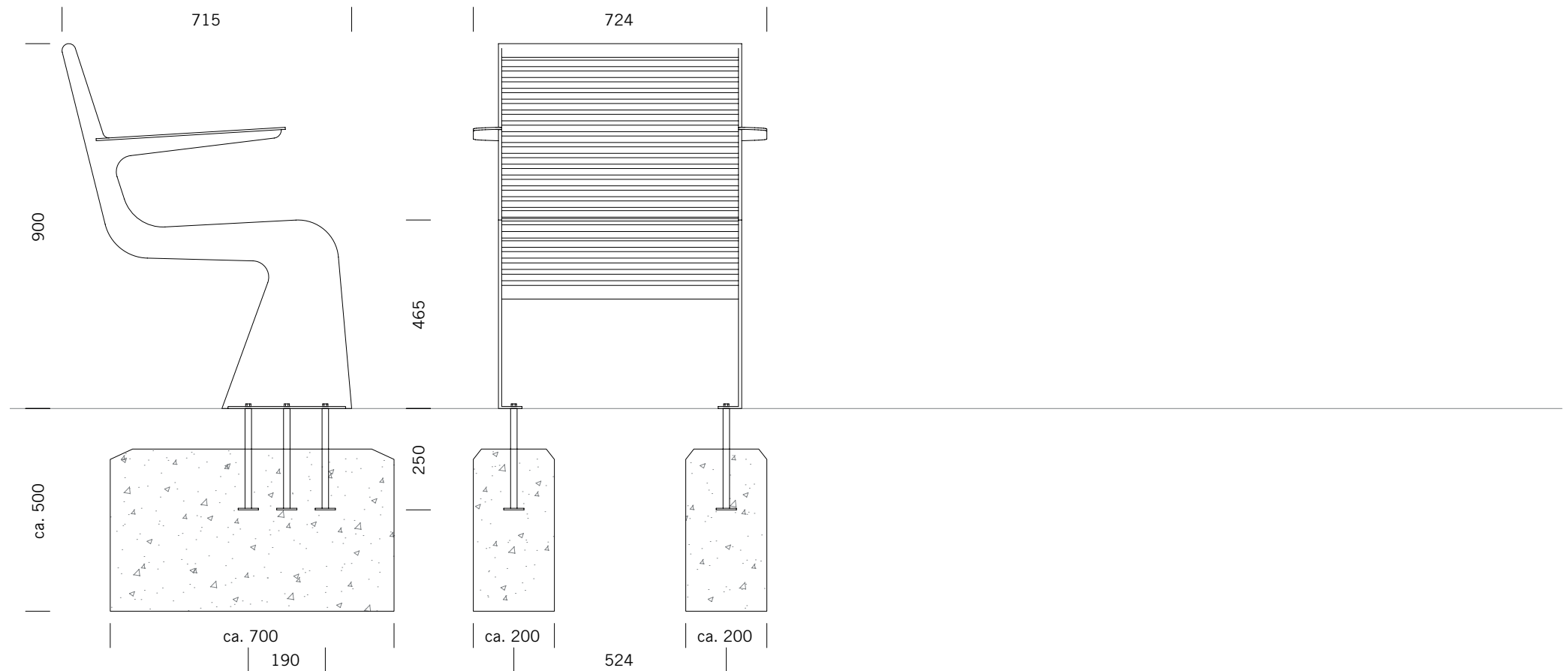


SIARDO 20R

Chair 600 with armrests

BENKERTBÄNKE

GROUND ANCHOR CONCRETE-IN, INSTALLATION DEPTH 250 MM



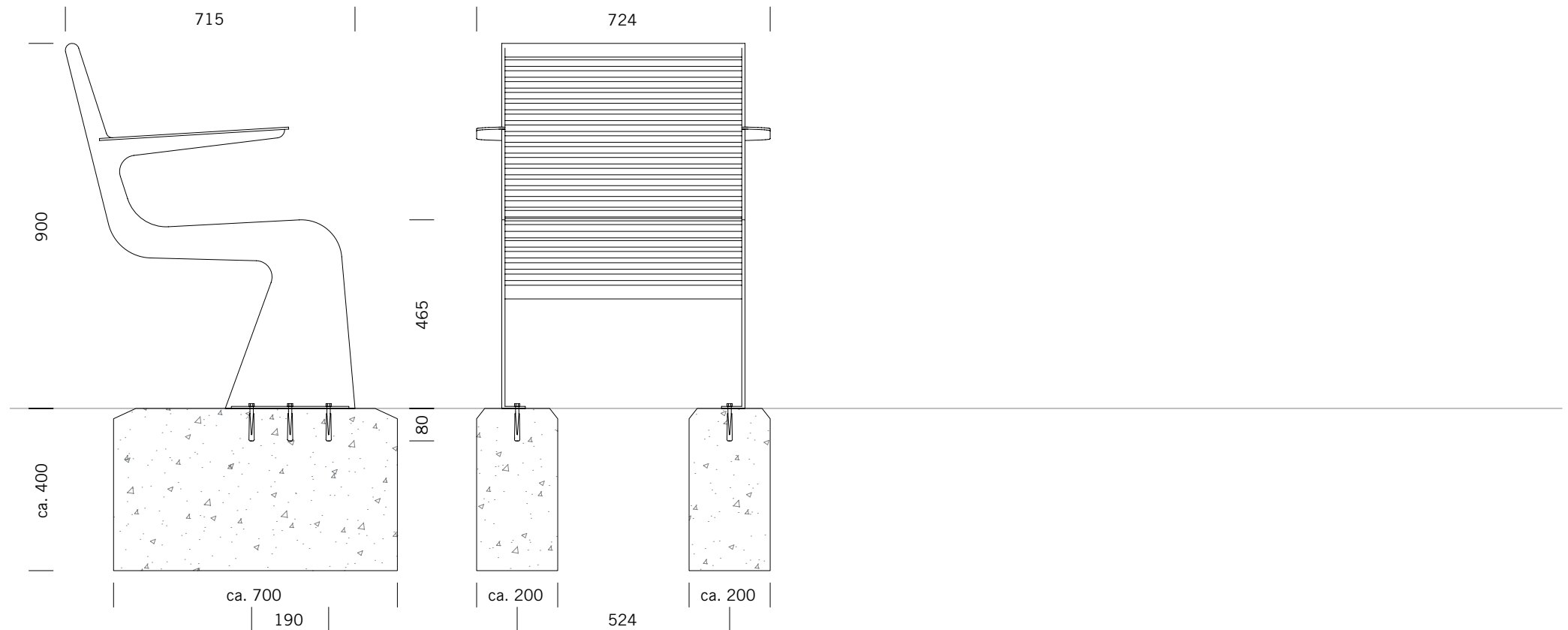
Foundations depend on local conditions - This is only a suggestion without warranty

SIARDO 20R

Chair 600 with armrests

BENKERTBÄNKE

GROUND ANCHOR BOLT-ON, INSTALLATION DEPTH 80 MM



Foundations depend on local conditions - This is only a suggestion without warranty