

SIARDO 150R

Stool bench 1350

BENKERTBÄNKE



SIARDO 150R

Stool bench 1350

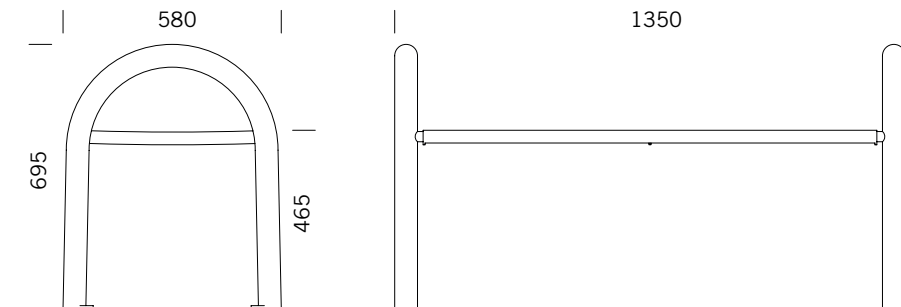
BENKERTBÄNKE



SIARDO 150R

Stool bench 1350

BENKERTBÄNKE



GROUND ANCHOR

1. Concrete-in, installation depth 250 mm
2. Bolt-on, installation depth 80 mm

DIMENSIONS

Length:	1350 mm
Width:	580 mm
Height:	695 mm
Seat height:	465 mm
Weight:	ca. 45 kg

FRAME

Stainless steel type 304 | powder-coated

SEAT

Stainless steel type 304 | round tubes Ø16mm

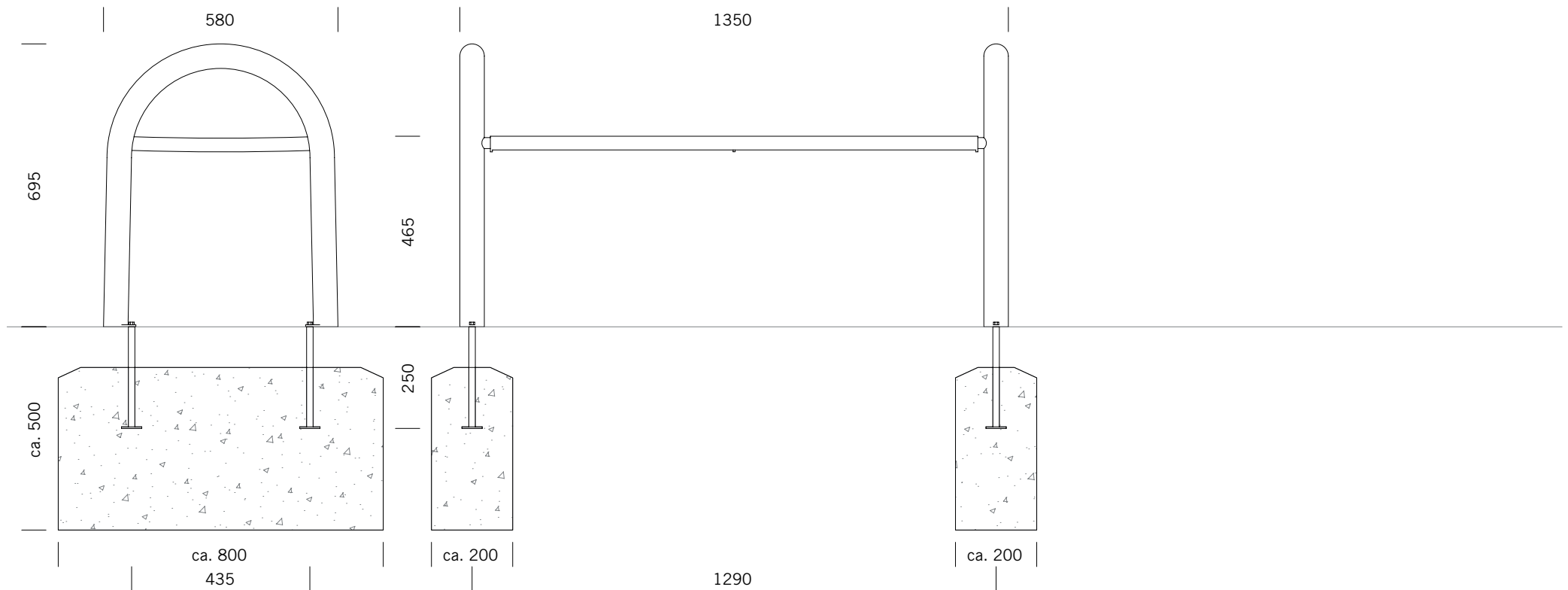


SIARDO 150R

Stool bench 1350

BENKERTBÄNKE

GROUND ANCHOR CONCRETE-IN, INSTALLATION DEPTH 250 MM



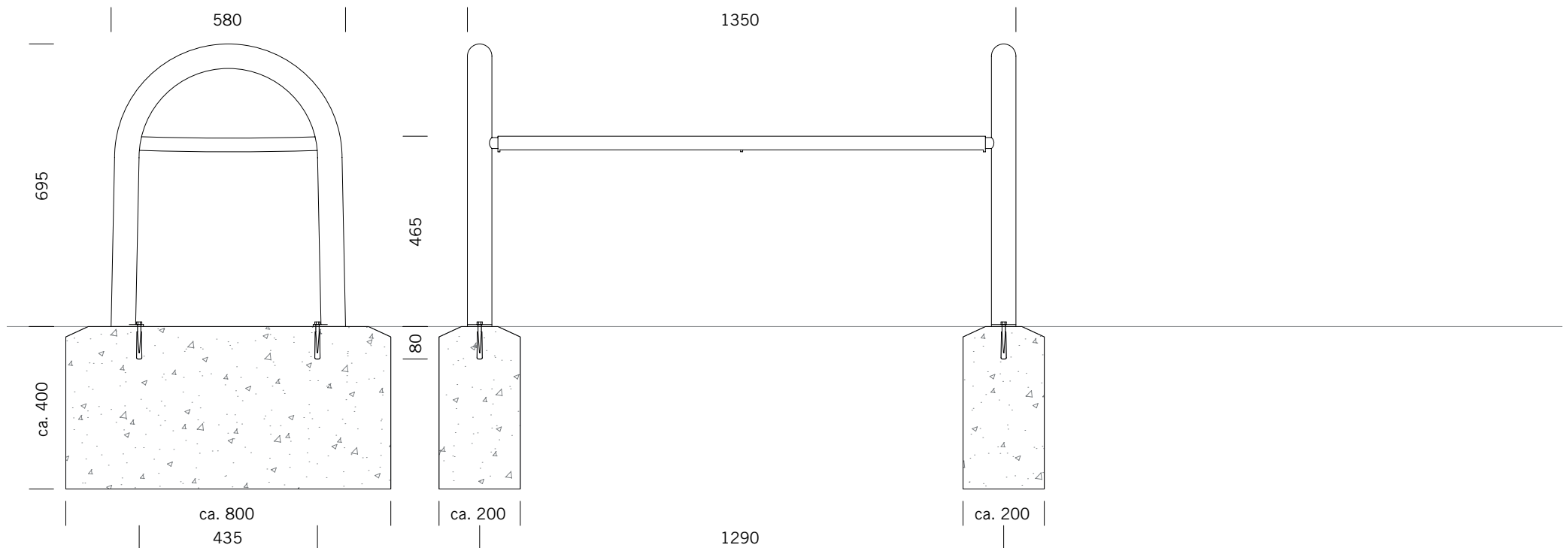
Foundations depend on local conditions - This is only a suggestion without warranty

SIARDO 150R

Stool bench 1350

BENKERTBÄNKE

GROUND ANCHOR BOLT-ON, INSTALLATION DEPTH 80 MM



Foundations depend on local conditions - This is only a suggestion without warranty