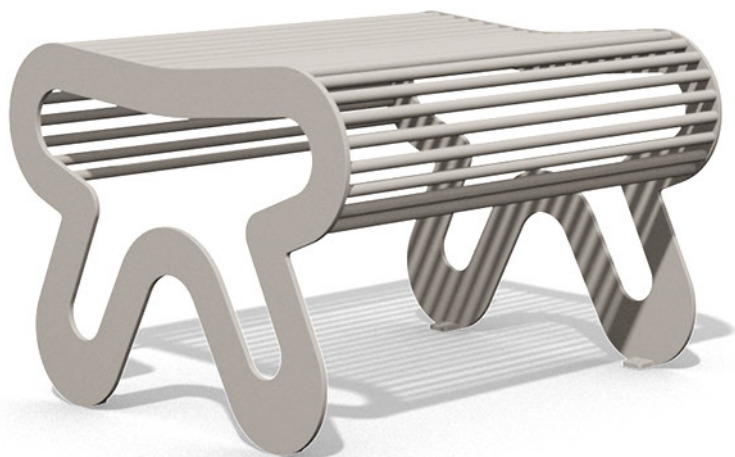


SIARDO 10R

Stool bench 650

BENKERTBÄNKE



SIARDO 10R

Stool bench 650

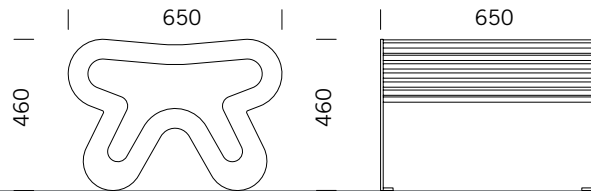
BENKERTBÄNKE

GROUND ANCHOR

1. Concrete-in, installation depth 250 mm
2. Bolt-on, installation depth 80 mm

DIMENSIONS

Length:	650 mm
Width:	650 mm
Height:	460 mm
Seat height:	460 mm
Weight:	29 kg



FRAME

Stainless steel type 304 | powder-coated

SEAT

Stainless steel type 304 | round tubes Ø16mm

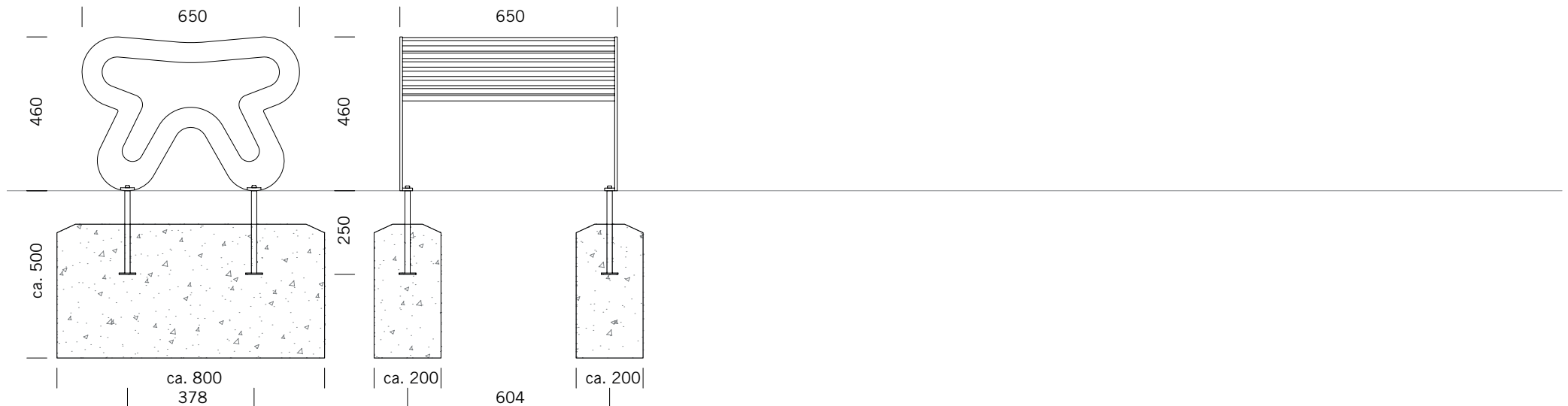


SIARDO 10R

Stool bench 650

BENKERTBÄNKE

GROUND ANCHOR CONCRETE-IN, INSTALLATION DEPTH 250 MM



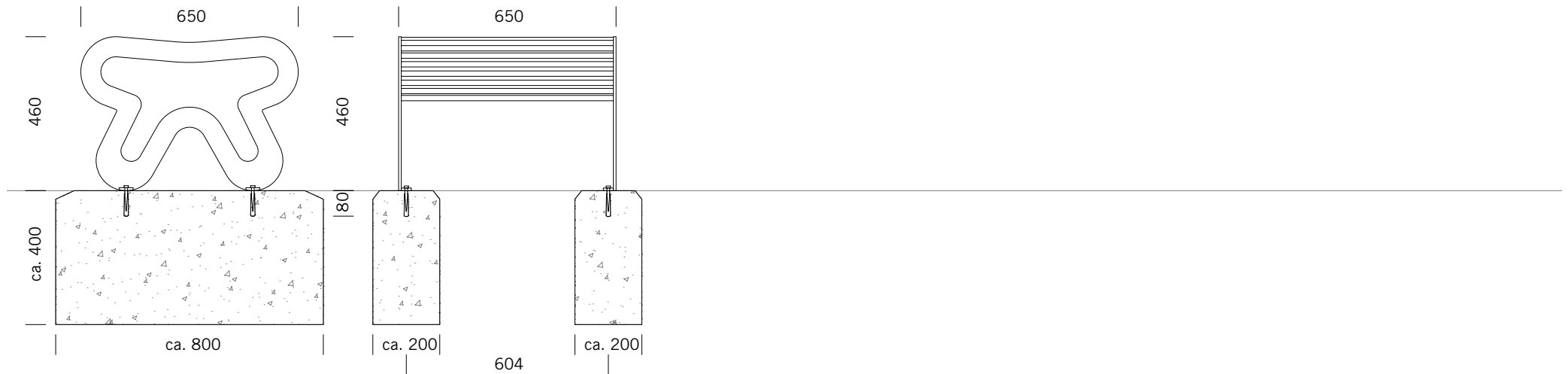
Foundations depend on local conditions - This is only a suggestion without warranty

SIARDO 10R

Stool bench 650

BENKERTBÄNKE

GROUND ANCHOR BOLT-ON, INSTALLATION DEPTH 80 MM



Foundations depend on local conditions - This is only a suggestion without warranty