

# COMFONY 400

Bench with armrests

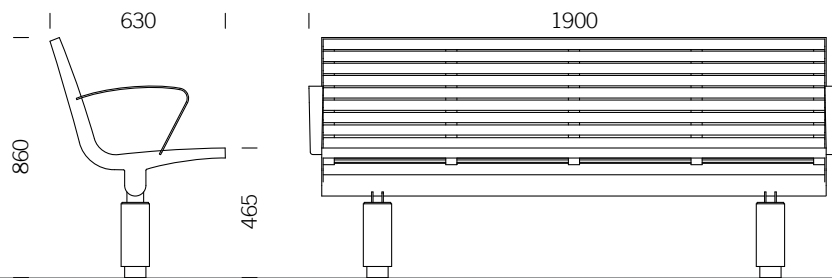
BENKERTBÄNKE



# COMFONY 400

Bench with armrests

# BENKERTBÄNKE



## GROUND ANCHOR

1. Concrete-in, installation depth 400 mm
2. Bolt-on, installation depth 80 mm
3. Take-out, installation depth 320 mm

## DIMENSIONS

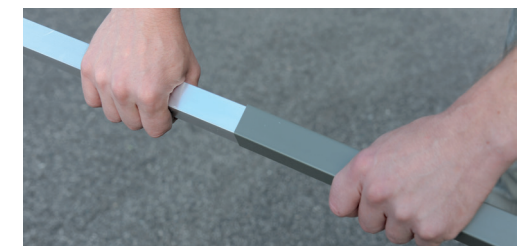
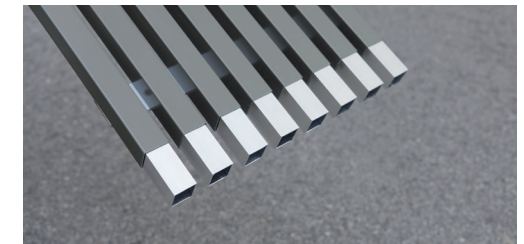
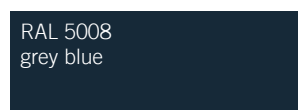
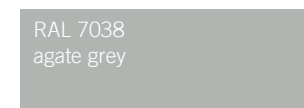
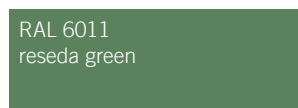
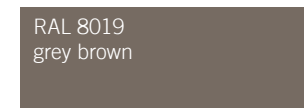
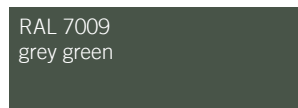
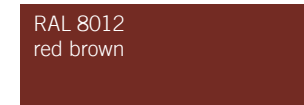
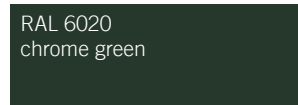
Length:	1900 mm
Width:	630 mm
Height:	860 mm
Seat height:	465 mm
Weight:	ca. 60 kg

## FRAME

Stainless steel type 304 | powder-coated

## SEAT / BACKREST

Slats consisting of an aluminium tube with a PET-thermo-casing | impact resistant | UV resistant

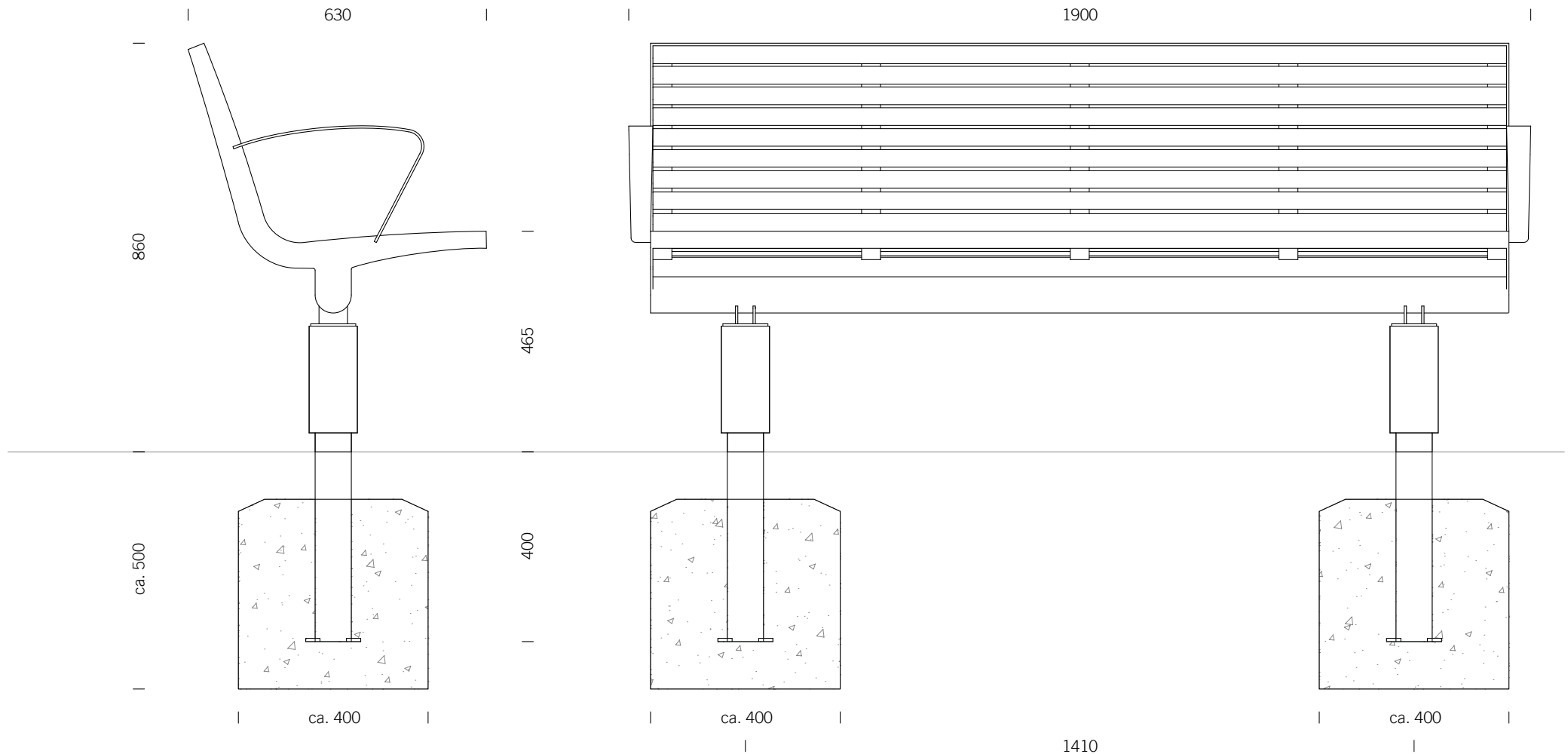


# COMFONY 400

Bench with armrests

# BENKERTBÄNKE

GROUND ANCHOR CONCRETE-IN, INSTALLATION DEPTH 400 MM



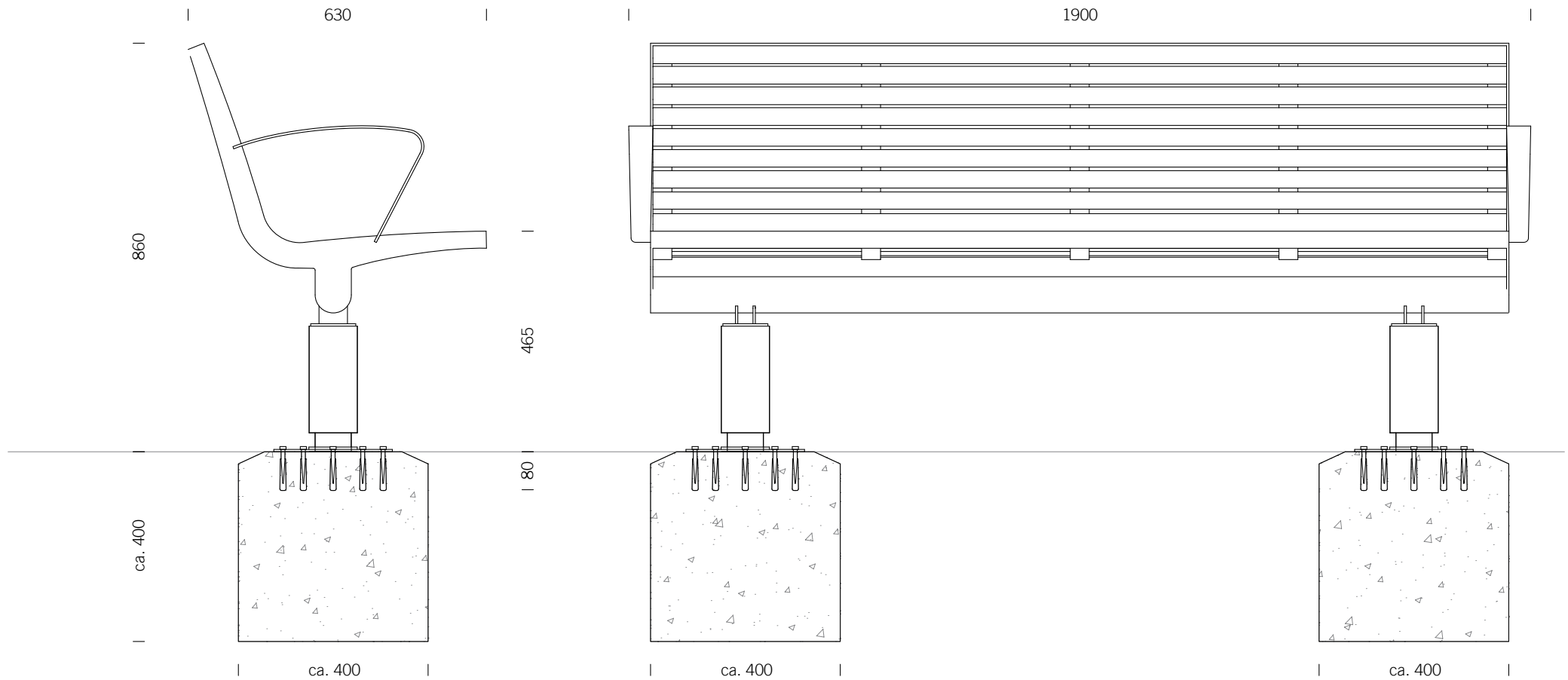
Foundations depend on local conditions - This is only a suggestion without warranty

# COMFONY 400

Bench with armrests

# BENKERTBÄNKE

GROUND ANCHOR BOLT-ON, INSTALLATION DEPTH 80 MM



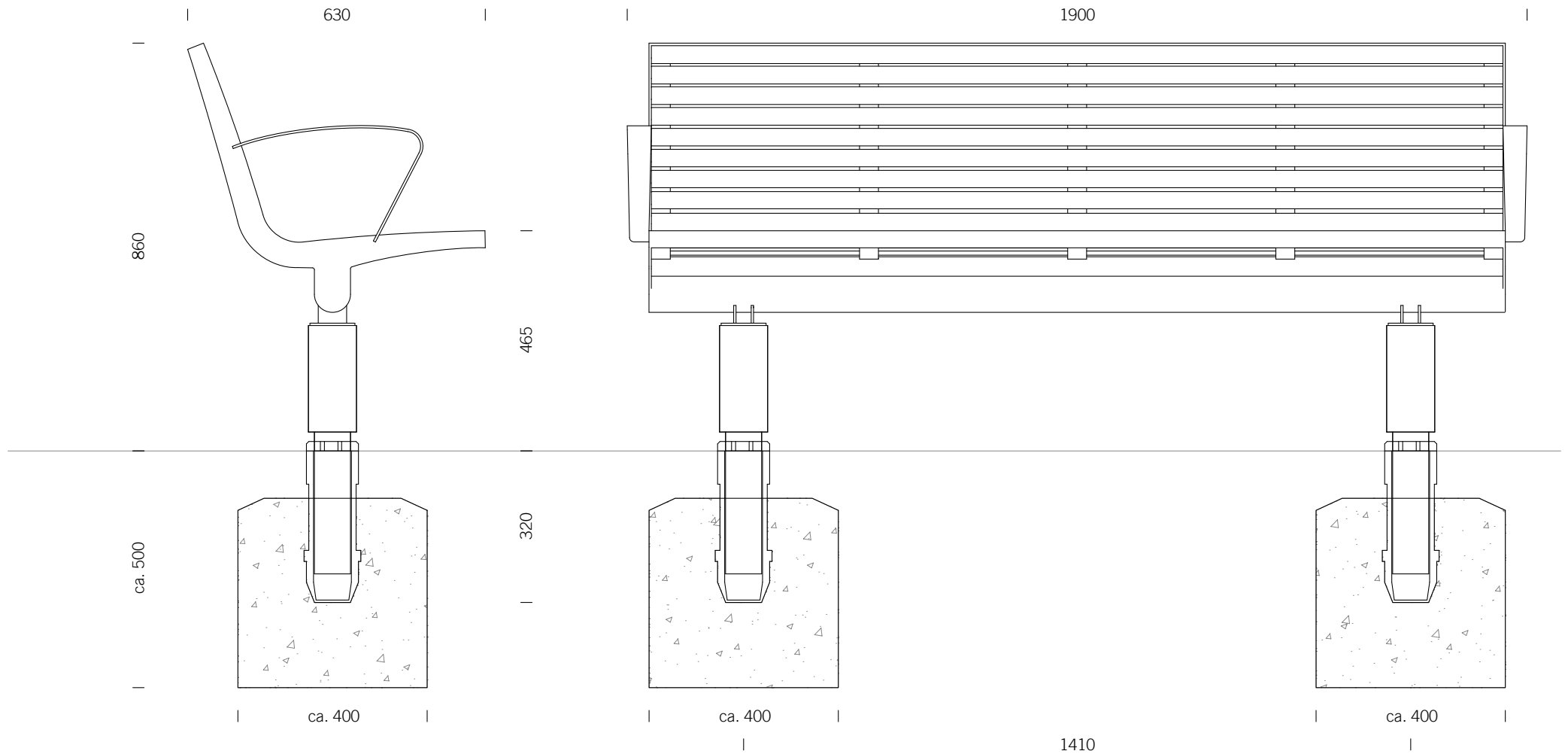
Foundations depend on local conditions - This is only a suggestion without warranty

# COMFONY 400

Bench with armrests

# BENKERTBÄNKE

GROUND ANCHOR TAKE-OUT, INSTALLATION DEPTH 320 MM



Foundations depend on local conditions - This is only a suggestion without warranty