

CHALIDOR 800

Bench 1305 with armrests

BENKERTBÄNKE



CHALIDOR 800

Bench 1305 with armrests

BENKERTBÄNKE



CHALIDOR 800

Bench 1305 with armrests

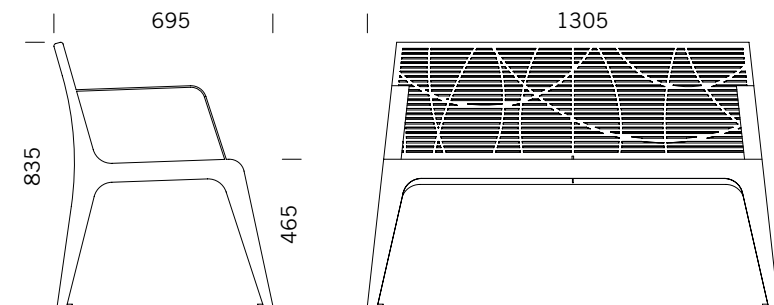
BENKERTBÄNKE

GROUND ANCHOR

1. Concrete-in, installation depth 250 mm
2. Bolt-on, installation depth 80 mm

DIMENSIONS

Length:	1305 mm
Width:	695 mm
Height:	835 mm
Seat height:	465 mm
Weight:	34 kg

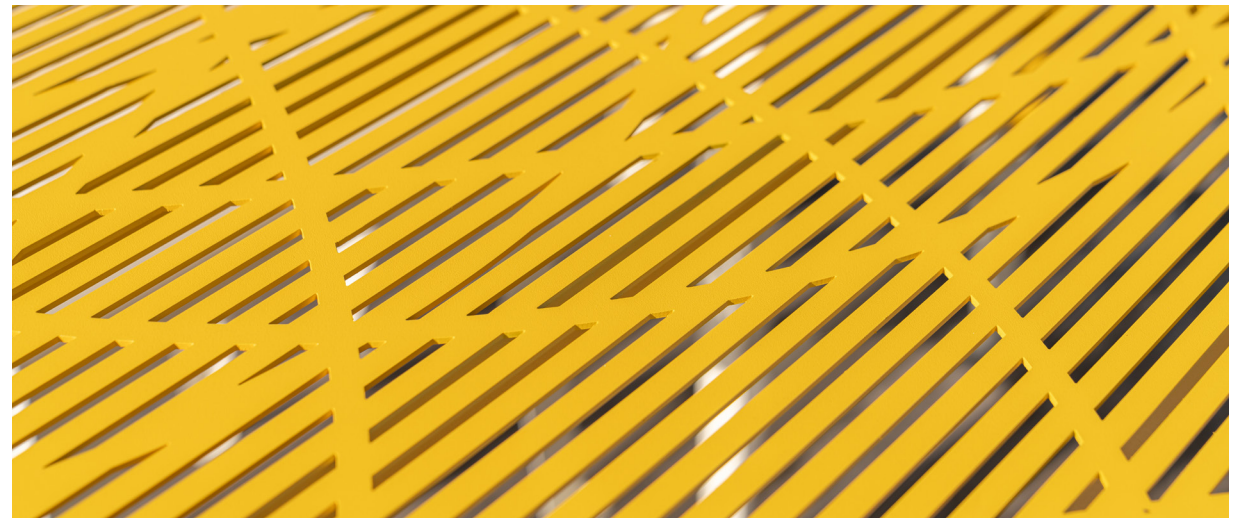


FRAME

Stainless steel type 304 | powder-coated

SEAT / BACKREST

Stainless steel type 304 | perforated plate

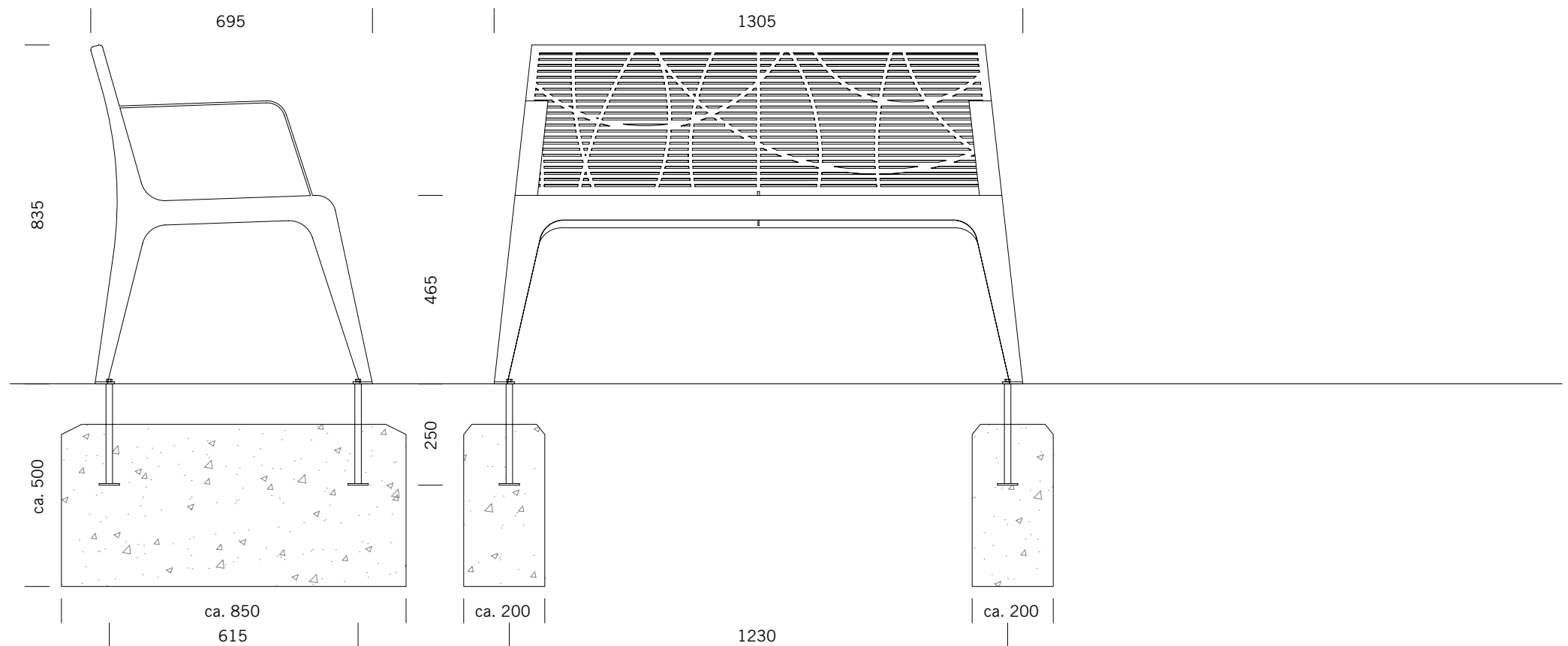


CHALIDOR 800

Bench 1305 with armrests

BENKERTBÄNKE

GROUND ANCHOR CONCRETE-IN, INSTALLATION DEPTH 250 MM



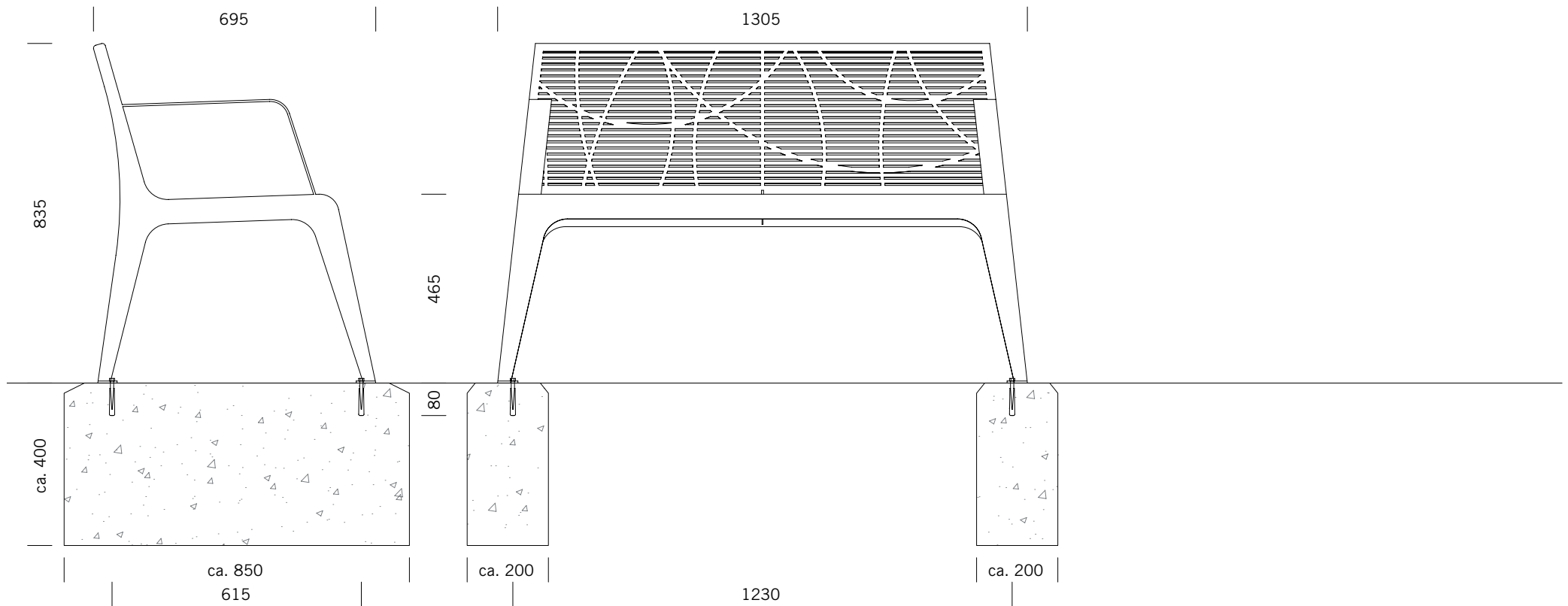
Foundations depend on local conditions - This is only a suggestion without warranty

CHALIDOR 800

Bench 1305 with armrests

BENKERTBÄNKE

GROUND ANCHOR BOLT-ON, INSTALLATION DEPTH 80 MM



Foundations depend on local conditions - This is only a suggestion without warranty