

CHALIDOR 200

Bench 1810

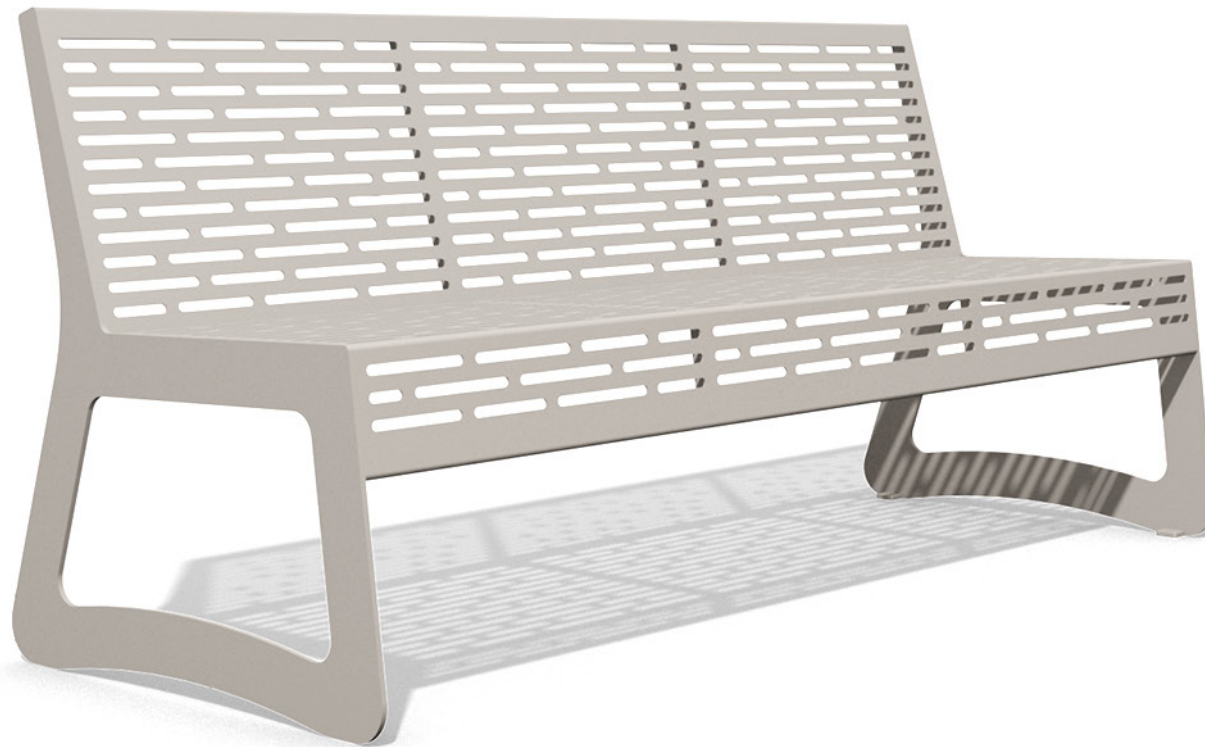
BENKERTBÄNKE



CHALIDOR 200

Bench 1810

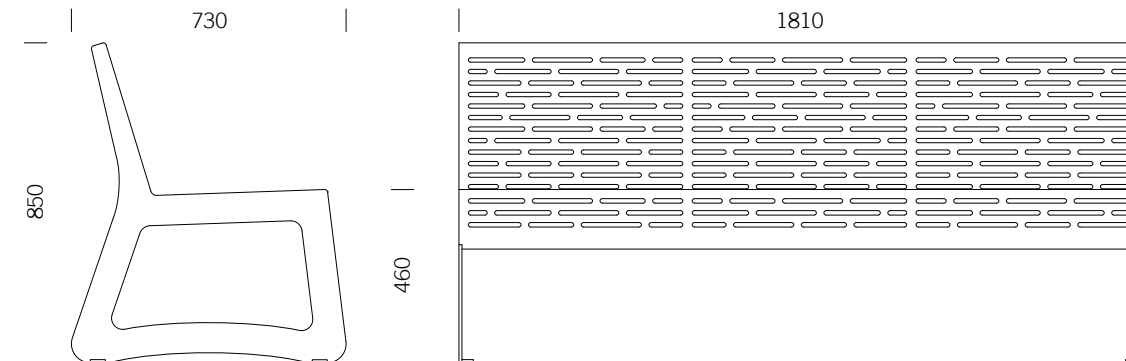
BENKERTBÄNKE



CHALIDOR 200

Bench 1810

BENKERTBÄNKE



GROUND ANCHOR

1. Concrete-in, installation depth 250 mm
2. Bolt-on, installation depth 80 mm

DIMENSIONS

Length:	1810 mm
Width:	730 mm
Height:	850 mm
Seat height:	460 mm
Weight:	59 kg

FRAME

Stainless steel type 304 | powder-coated

SEAT / BACKREST

Stainless steel type 304 | perforated plate

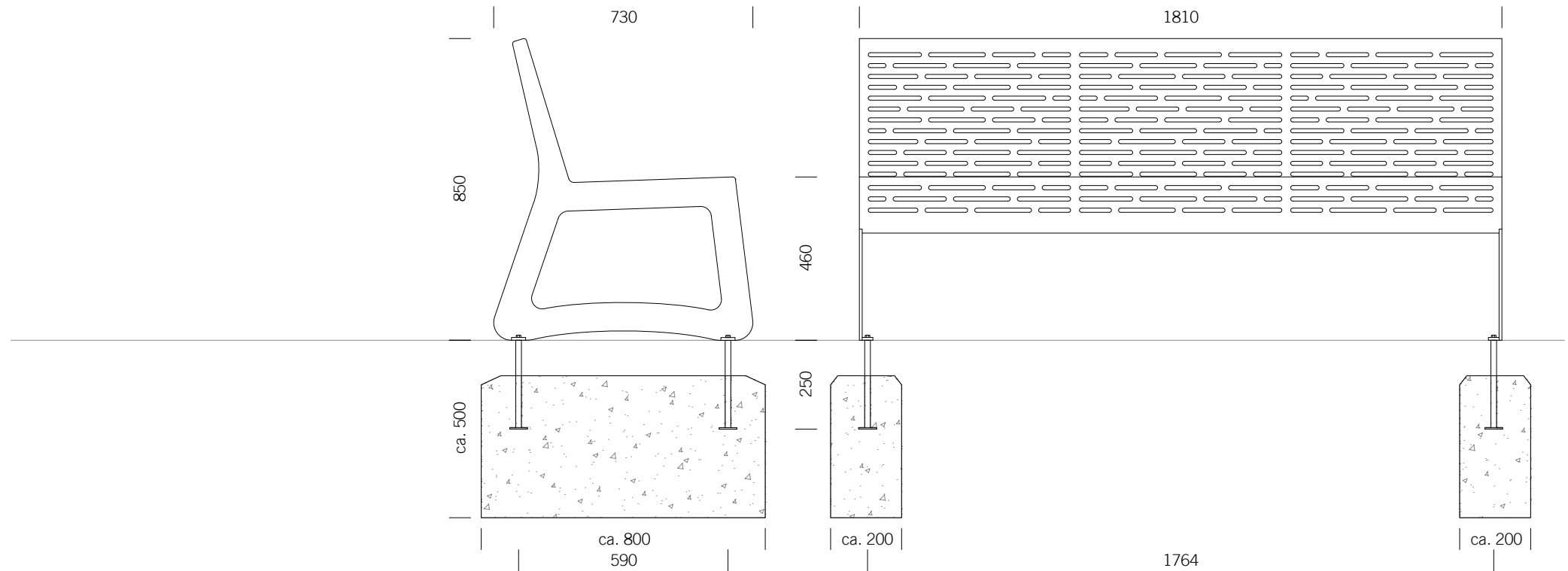


CHALIDOR 200

Bench 1810

BENKERTBÄNKE

GROUND ANCHOR CONCRETE-IN, INSTALLATION DEPTH 250 MM



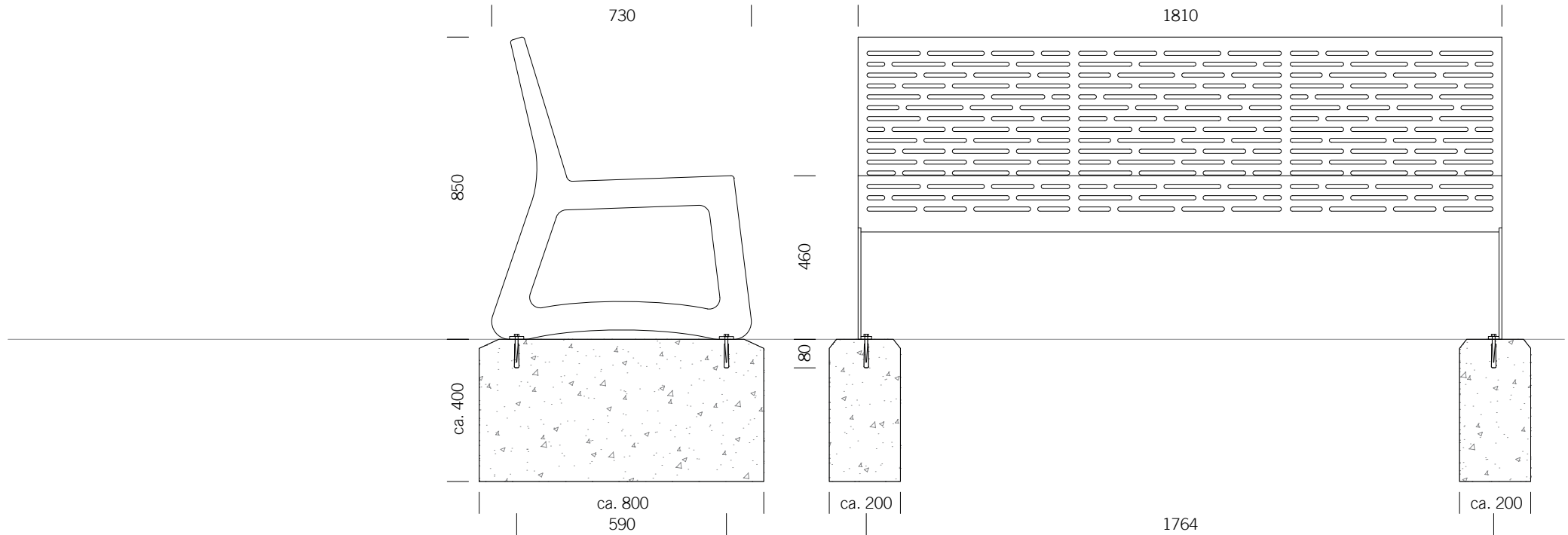
Foundations depend on local conditions - This is only a suggestion without warranty

CHALIDOR 200

Bench 1810

BENKERTBÄNKE

GROUND ANCHOR BOLT-ON, INSTALLATION DEPTH 80 MM



Foundations depend on local conditions - This is only a suggestion without warranty