

CHALIDOR 100

Table 1800

BENKERTBÄNKE



CHALIDOR 100

Table 1800

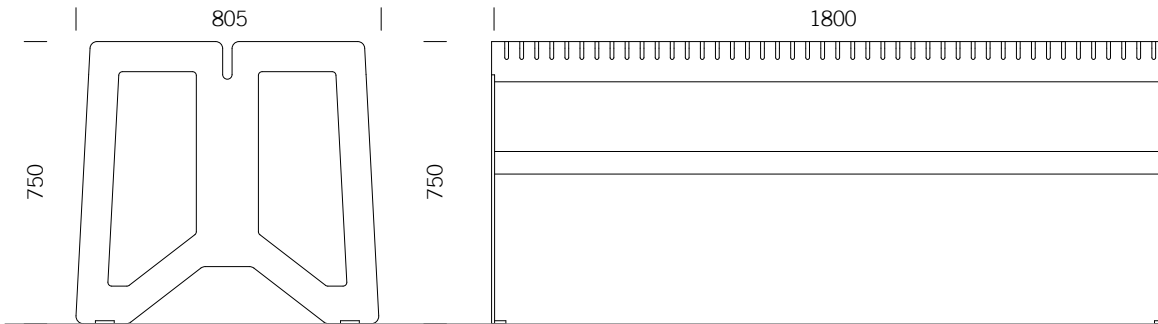
BENKERTBÄNKE

GROUND ANCHOR

1. Concrete-in, installation depth 250 mm
2. Bolt-on, installation depth 80 mm

DIMENSIONS

Length:	1800 mm
Width:	805 mm
Height:	750 mm
Weight:	80 kg



FRAME

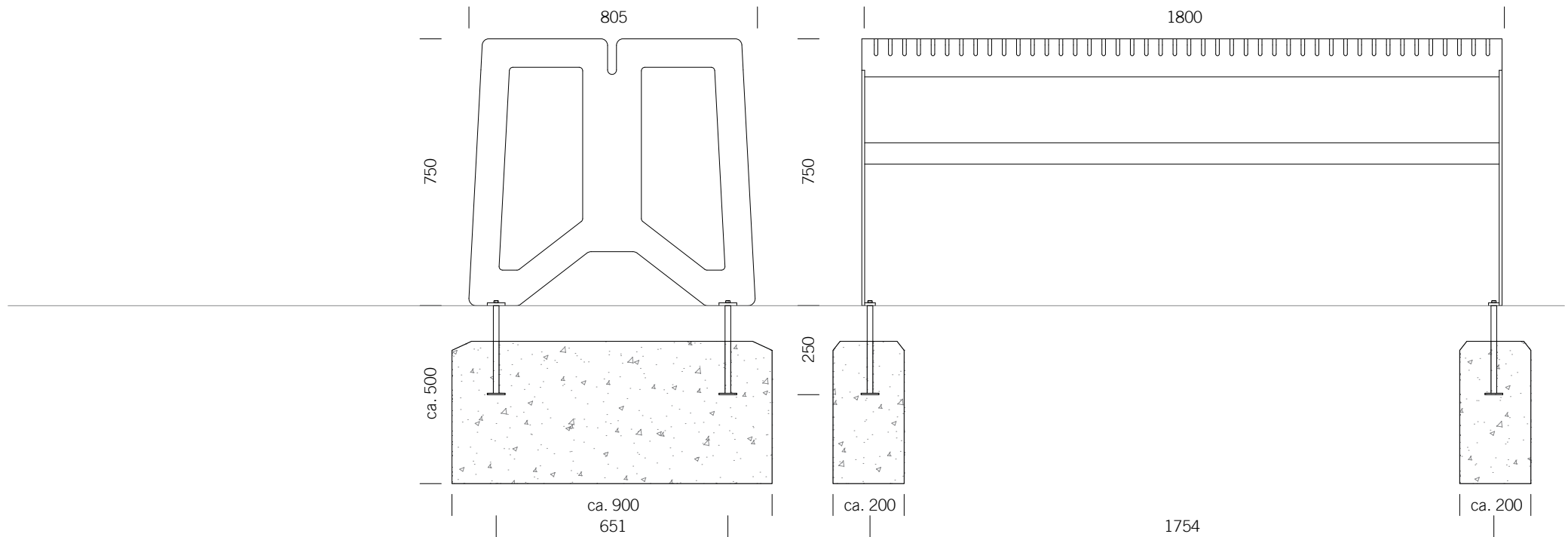
Stainless steel type 304 | powder-coated

TABLE SURFACE

Stainless steel type 304 | perforated plate



GROUND ANCHOR CONCRETE-IN, INSTALLATION DEPTH 250 MM



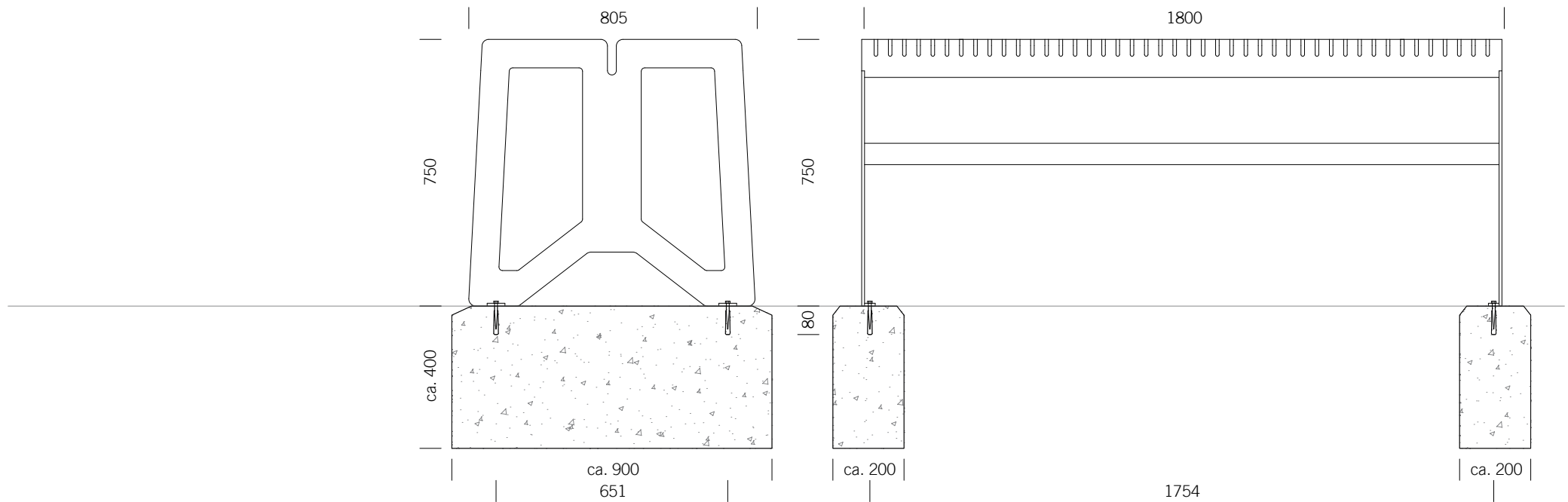
Foundations depend on local conditions - This is only a suggestion without warranty

CHALIDOR 100

Table 1800

BENKERTBÄNKE

GROUND ANCHOR BOLT-ON, INSTALLATION DEPTH 80 MM



Foundations depend on local conditions - This is only a suggestion without warranty