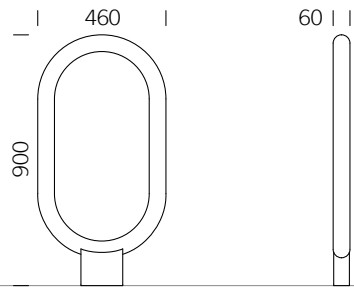


BIKE STAND C1100

BENKERTBÄNKE



GROUND ANCHOR

1. Concrete-in, installation depth 400 mm
2. Bolt-on, installation depth 80 mm

DIMENSIONS

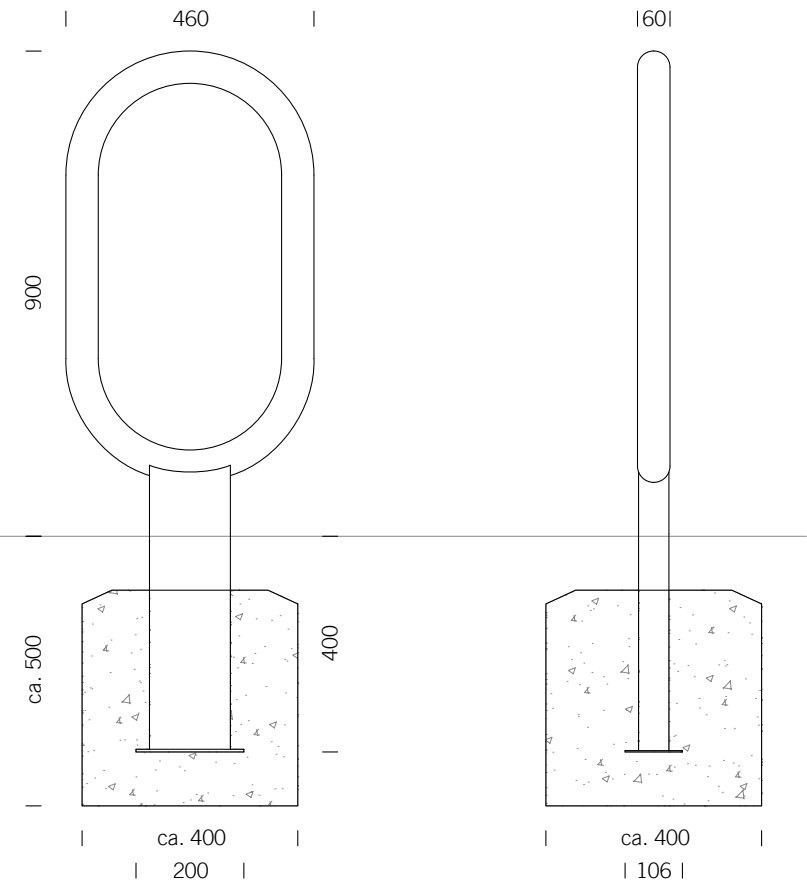
Length:	460 mm
Width:	60 mm
Height:	900 mm

FRAME

Stainless steel type 304 | powder-coated

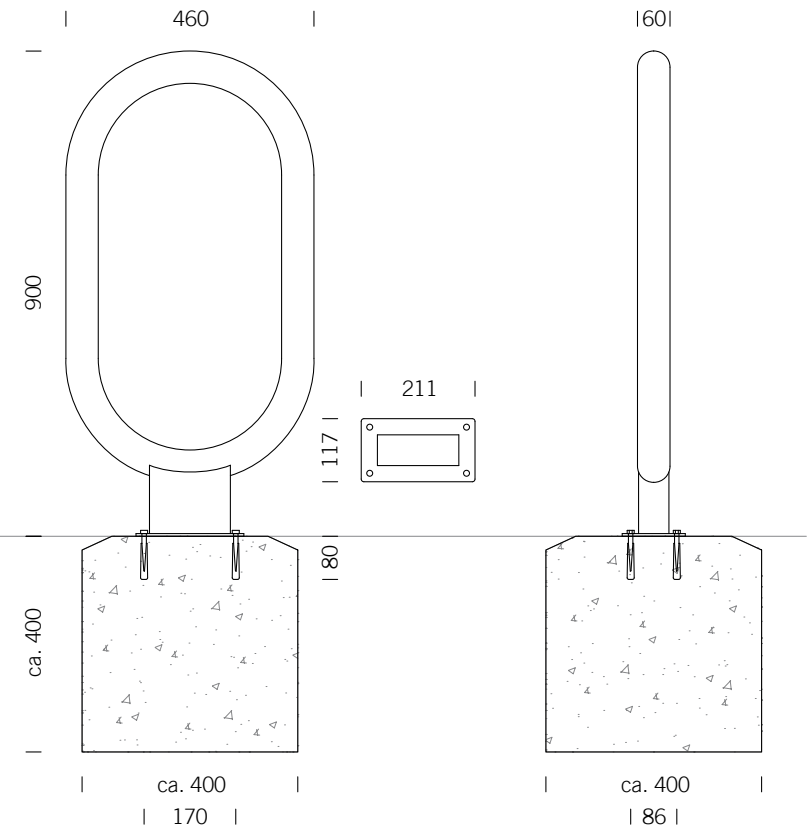


GROUND ANCHOR CONCRETE-IN, INSTALLATION DEPTH 400 MM



Foundations depend on local conditions - This is only a suggestion without warranty

GROUND ANCHOR BOLT-ON, INSTALLATION DEPTH 80 MM



Foundations depend on local conditions - This is only a suggestion without warranty